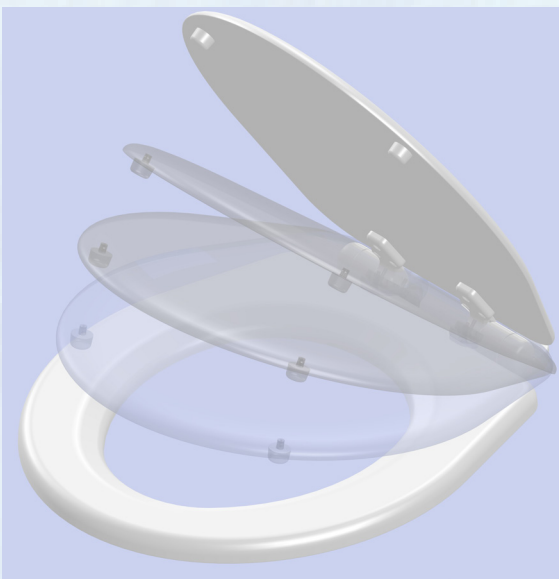




RARITAN

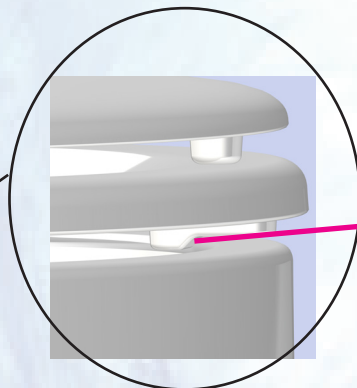
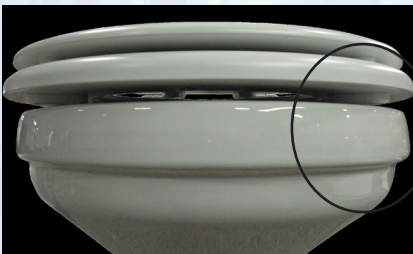
The Most Dependable Name on the Water

SLOW CLOSE SEAT AND LID DESIGNED FOR MARINE USE



FEATURES AND BENEFITS FOR RARITAN'S SLOW CLOSE SEAT:

- Seat and lid slowly close to prevent hard slamming
- Special stopper lock seat in place and prevents seat from sliding that can result in broken hinges
- Seat and lid are made with durable high density fiberboard (HDF)
- Constructed with stainless steel fasteners to prevent corrosion
- Fits all Raritan manual and electric toilets with marine and household style bowls
- Fits most other brand marine and household style bowls



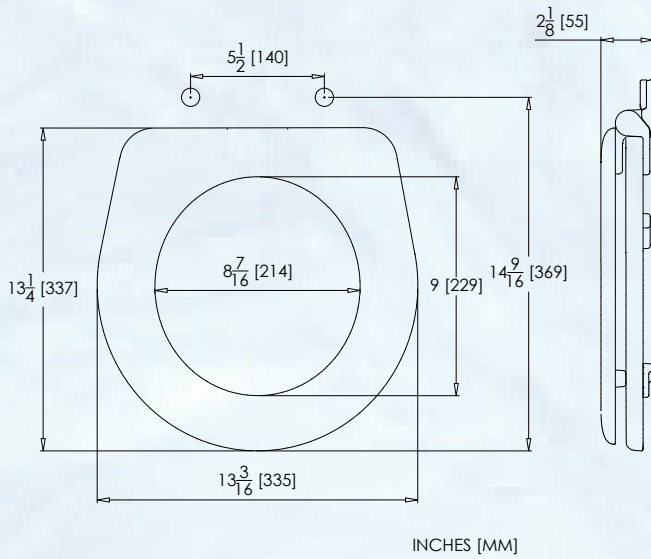
**SPECIAL STOPPER
PREVENTS SEAT FROM
SLIDING SIDEWAYS**

Raritan products are chosen by powerboat, sailboat, houseboat and RV owners and manufacturers the world over for their dependability, environmental responsibility, simplicity of installation, operation and maintenance. The product line includes house-hold style toilets, marine toilets, marine sanitation devices and systems, cleaning products, icemakers, water heaters and rudder angle indicators.

To view our complete line as well as obtain installation and servicing guides: visit www.raritaneng.com

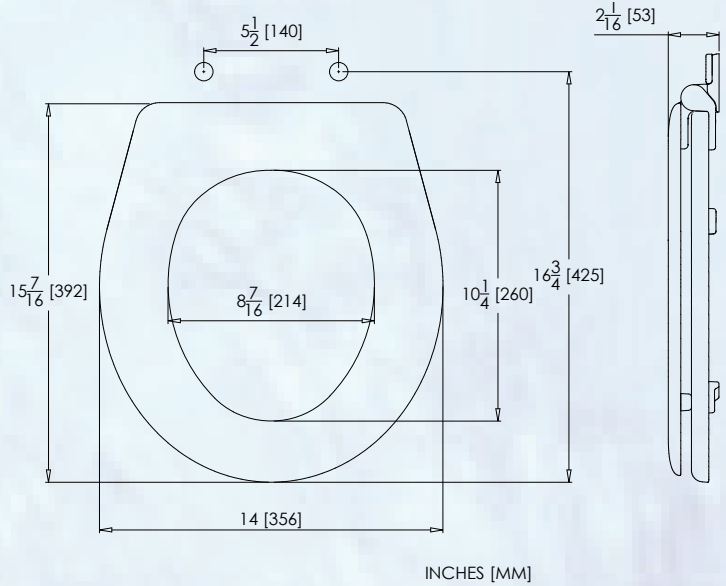
Our Slow Close seat and lids are available in 3 sizes:

Dimension Part # 1238SC



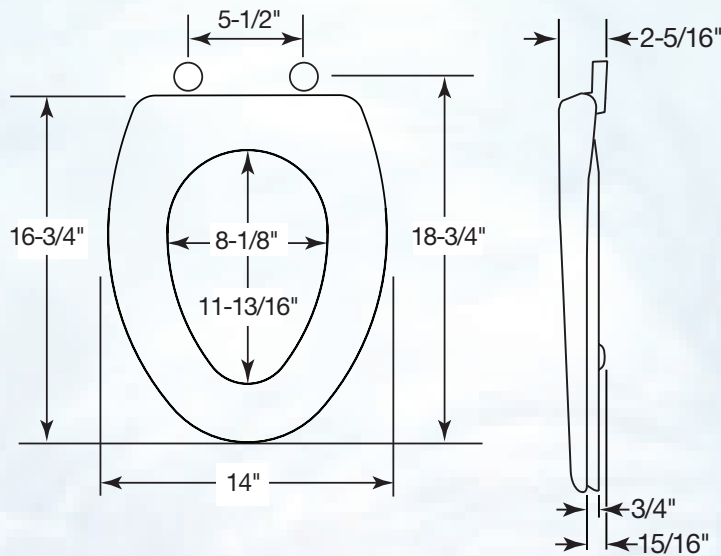
**Part # 1238SC will fit
most marine size bowls**

Dimension Part # 1245SC



**Part #
1245SC (White)
1245ASC (Bone)
(will fit most household size bowls)**

Elongated Size Bowl Part # AL030SC (White) Part # AL030ASC (Bone)



For more information contact:
Raritan Engineering Company Inc.
530 Orange Street
Millville, NJ 08332, USA
Telephone: 856-825-4900
Toll Free: 1-800-352-5630
Fax: 856-825-4409
e-mail: info@raritaneng.com