



The Most Dependable Name on the Water



K.O.² Kit

Knock Out Odors Kit

Benefits

- No more Rotten Egg smells
- Non Toxic
- Non Polluting
- 100% Biodegradable
- Eliminates odors at their source

Keeps your entire system clean and odor free. Eliminate the “rotten egg” smell caused by raw water left sitting in the intake lines.

C.P., or Cleans Potties, is specifically designed to release bio-enzymes with each flush to eliminate odor causing bacteria from outside water sources.

K.O., or Kills Odors, contains micro-organisms that reduce solid waste and instantly neutralize odor causing bacteria inside holding tanks.

Complete Odor Treatment

- Treats incoming water with each flush
- Kit includes K.O. - Kills Odors to use in the holding tank
- Complete treatment from incoming water to the holding tank eliminating the unwanted odors associated with toilet systems on boats

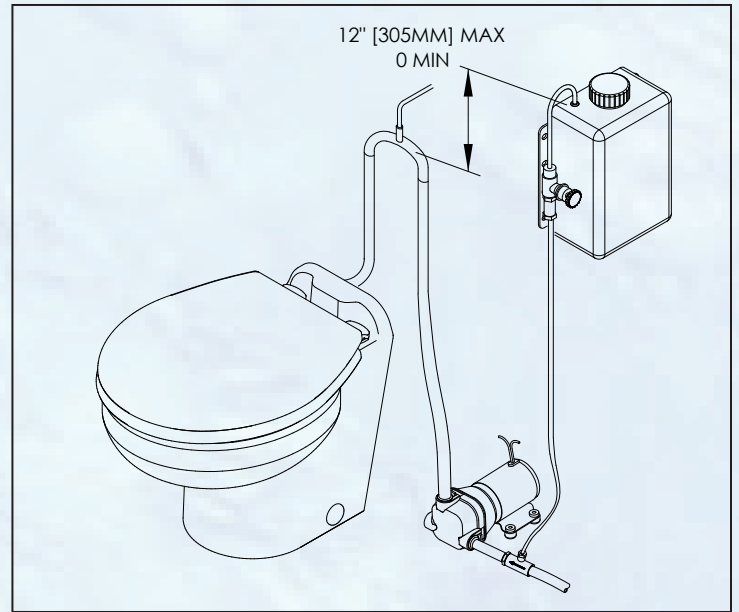
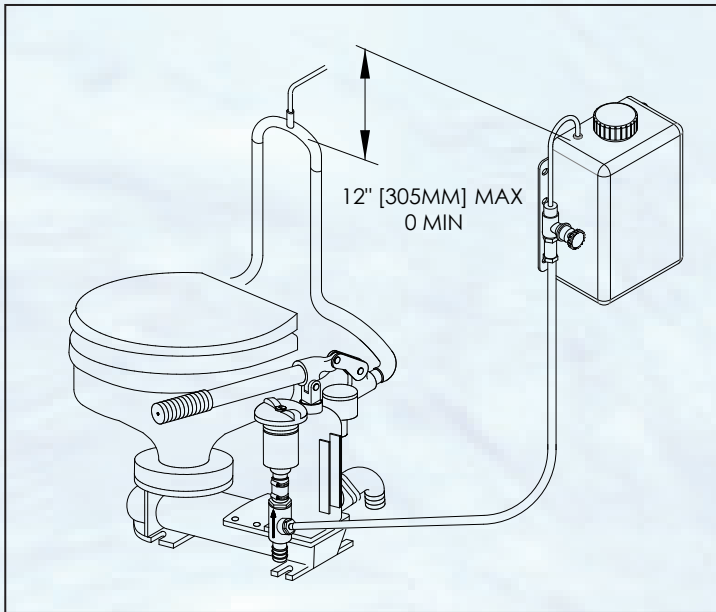
K.O.² Kit Includes:

- 32 oz bottle of C.P.
- 32 oz bottle of K.O.
- One gallon dispenser
- Hardware
- Instructions

Raritan products are chosen by powerboat, sailboat, houseboat and RV owners and manufacturers the world over for their dependability, environmental responsibility, simplicity of installation, operation and maintenance. The product line includes house-hold style toilets, marine toilets, marine sanitation devices and systems, cleaning products, icemakers, water heaters and rudder angle indicators.

To view our complete line as well as obtain installation and servicing guides: visit www.raritaneng.com

KO² sample instructions

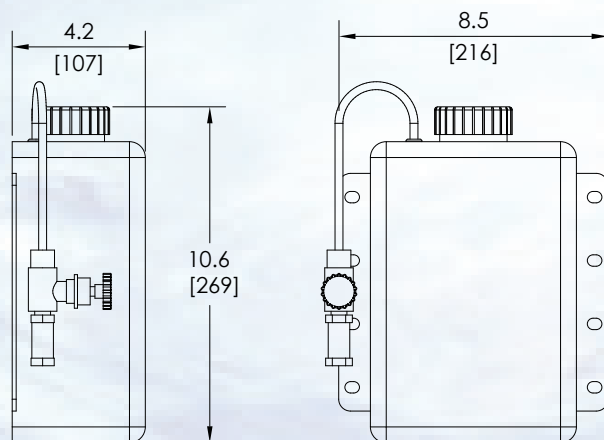


The dispenser tank adds a preset amount of diluted C.P. with every flush. Bacteria introduced by C.P. breakdown organic matters in the inlet hose and bowl rim. This prevents sulfide generating bacteria (rotten egg smell) from growing. C.P. bioactive formula stops the generation of odor without the use of chemicals such as chlorine or formaldehydes.

Adding K.O. through the toilet at regular intervals eliminates odors from holding tank and discharge hose.

Raritan recommends SaniFlex® Odor shield sanitation hose for preventing any odors from permeating through hose.

Tank Dimensions



INCH [MM]

Installation Features

Top of container must be installed 12" above the top of the toilet seat lid or at the same level as the vented loop.

Reorder part numbers:

1PCP32

C.P. For use in dispenser tank

1PKO32

K.O. For use in holding tank



For more information contact:
Raritan Engineering Company Inc.
530 Orange Street
Millville, NJ 08332, USA
Telephone: 856-825-4900
Toll Free: 1-800-352-5630
Fax: 856-825-4409
e-mail: info@raritaneng.com