

MULTIFUNCTION MOMENTARY CONTROL

Installation and Maintenance Instructions

Part # 221551

THE FOLLOWING ARE CAUTIONARY STATEMENTS THAT MUST BE READ AND FOLLOWED DURING BOTH INSTALLATION AND OPERATION.

WARNING: *Raritan Engineering Company, Inc. recommends that a qualified person or electrician install this product. Equipment damage, injury to personnel or death could result from improper installation. Raritan Engineering Company, Inc. accepts no responsibility or liability for damage to equipment, injury or death to personnel that may result from improper installation or operation of this product.*



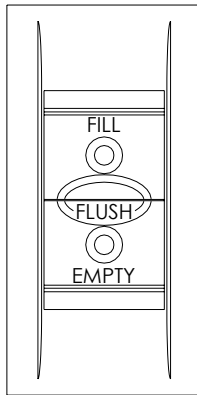
WARNING: HAZARD OF SHOCK OR FIRE



Always use recommended fuse, circuit breaker and wire size.

DO NOT install in the area requiring “Ignition protected” devices.

Width= 1.5” (38.1)



Height= 3” (76.2)

Depth= 1.5” (38.1)

Description:

Multifunction Momentary Control:

Multifunction momentary control includes a Switch panel, controller and cable.

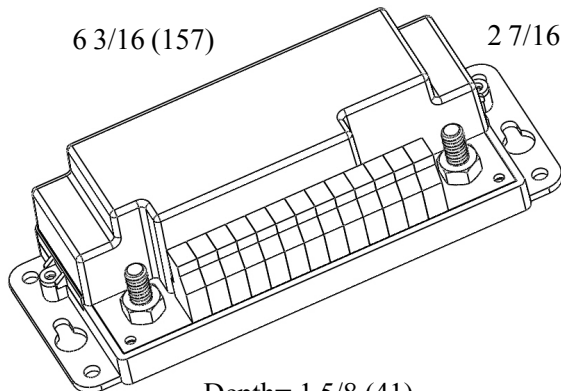
Operation:

1. Press and hold “FILL” to add water to the bowl
2. Press and hold “Empty” to evacuate the bowl
3. Press and hold “Flush” to bring water in while bowl is evacuating

Multifunction Momentary Control can also be configured with SEA/FRESH switch.

6 3/16 (157)

2 7/16 (62)



Depth= 1 5/8 (41)

1-800-352-5630
www.raritaneng.com



RARITAN
The Most Dependable Name on the Water

NOTES: for Wiring

1.	Distances are from source to unit and back to source.
2.	Distance from power source to remote intake pump MUST be included when determining total distance. Same wire size MUST be used for lower base and remote intake pump.
3.	Recommended conductor wire minimum AWG (mm ²) for 3% voltage drop.
4.	Recommended conductor sizes are based on 105°C rated insulation. Refer to ABYC Standards for other insulation ratings.
5.	For 120/240 VAC units use 12VDC specifications from transformer to unit.

CONVERSIONS								
Wire - AWG to mm ²								
AWG	16	14	12	10	8	6	4	2
mm ²	1.5	2.5	4.0	6.0	10.0	16.0	25.0	35.0
Feet to Meters								
Feet	10	15	20	25	30	40	50	
Meter	3.1	4.6	6.1	7.6	9.2	12.2	15.2	

Sea Water Model - Recommended Wire and Fuse/Circuit Breaker Size

	Units Voltage	Circuit Breaker/fuse size (amps)	Discharge Amp. draw	Remote Pump Only Amp. draw	15 feet	20 feet	30 feet	40 feet	50 feet
Atlantes Marine Elegance	12 VDC	30	18	10	10 AWG	8 AWG	6 AWG	6 AWG	4 AWG
SeaEra		25	13	10					
Atlantes Marine Elegance	24 VDC	20	10	5	14 AWG	14 AWG	12 AWG	10 AWG	10 AWG
SeaEra		15	7.5	5					

Pressurized Freshwater Model - Recommended Wire and Fuse/Circuit Breaker Size

	Units Voltage	Circuit Breaker/fuse size (amps)	Amp. draw	10 feet	15 feet	20 feet	30 feet	40 feet	50 feet
Atlantes Marine Elegance	12 VDC	25	18	12 AWG	10 AWG	10 AWG	8 AWG	6 AWG	6 AWG
SeaEra		25	13						
Atlantes Marine Elegance	24 VDC	15	10	14 AWG	12 AWG	10 AWG	10 AWG	8 AWG	6 AWG
SeaEra		15	7.5						

Mounting controls:

A. Mounting control box:

1. Locate a place for control box near toilet. Do not install box more than six feet away to avoid excessive voltage drop
2. Route wires between toilet and control

B. Switch Panel:

1. Cut out a hole per Fig. 1, mark mounting holes using wall plate as guide.
2. Route wire to the toilet and control.
3. Secure control using sealant with two screws.

C. Sea/fresh control:

1. Follow Switch Panel instructions above

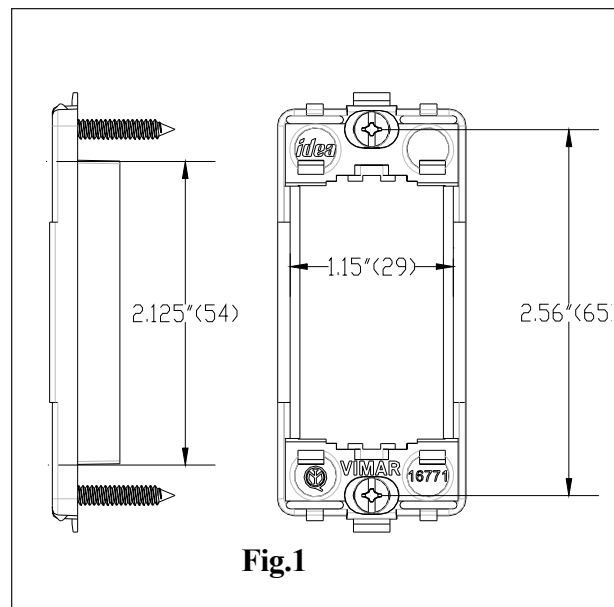


Fig.1

D. WIRING

WARNING: Hazard of Shock and Fire

- Always use proper wire, wire connectors and fuse/circuit breaker. See Specification Chart.
- Secure wire properly.
- Do not connect appliances to toilet circuit.
- Make sure power is off before proceeding.
- Use proper wire terminals for all wire connections.

1. Determine proper wire size by measuring distance from:
 - Power Source to push button to toilet motor and back to power source.
 - Remote pump units - also include distance from power source for remote pump to remote pump and back. Same wire gauge must be used for both discharge and remote pump.

2. Select proper wire and fuse/circuit breaker size from Specifications on specification page.
3. Install fuse/circuit breaker in positive line at source.
4. Wire control to the toilet and battery using one of the following wiring diagrams.

MSD OPERATION

To start Electrosan from toilet control, run a wire from “to MSD “ to terminal marked “EXT TRIG” inside Electrosan control module (black box).

To start toilet equipped with Smart toilet control from Electrosan, connect “Head 1” to “FROM MSD “.

For Lectra/San MC, EC call Raritan Customer Service

Fig. 2 WIRING FOR MULTIFUNCTION MOMENTARY CONTROL, FRESHWATER MODEL

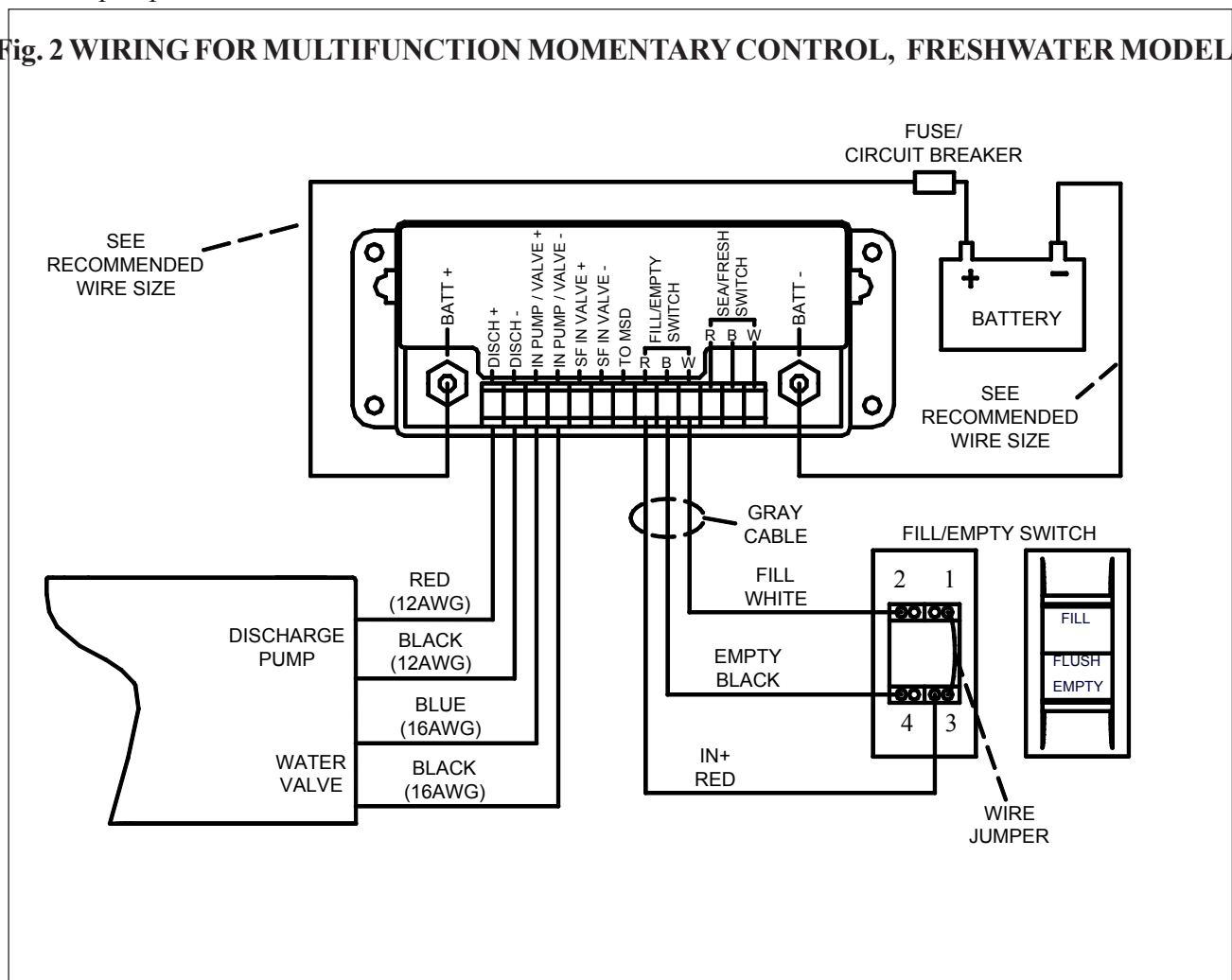


Fig. 3
WIRING FOR MULTIFUNCTION MOMENTARY CONTROL WITH REMOTE PUMP

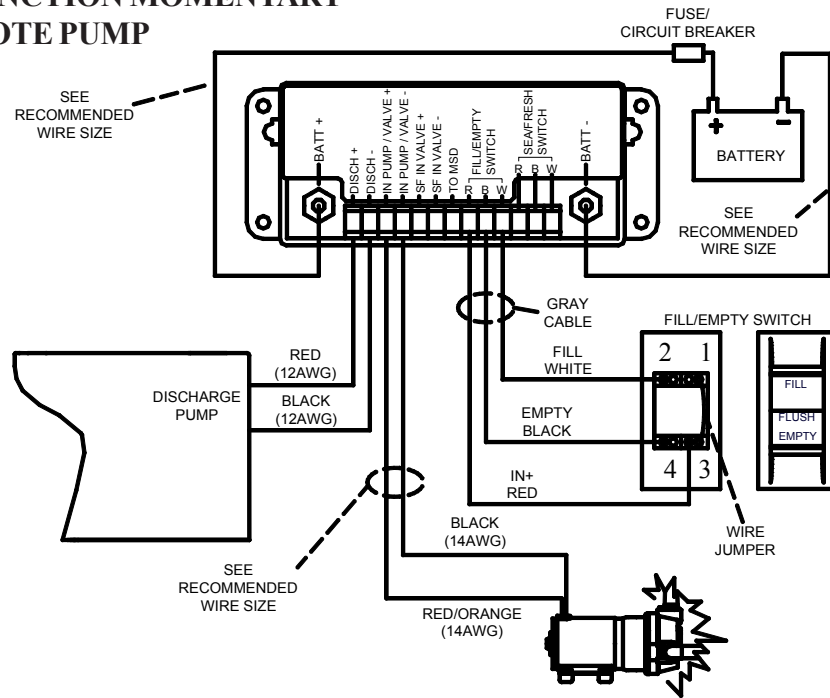
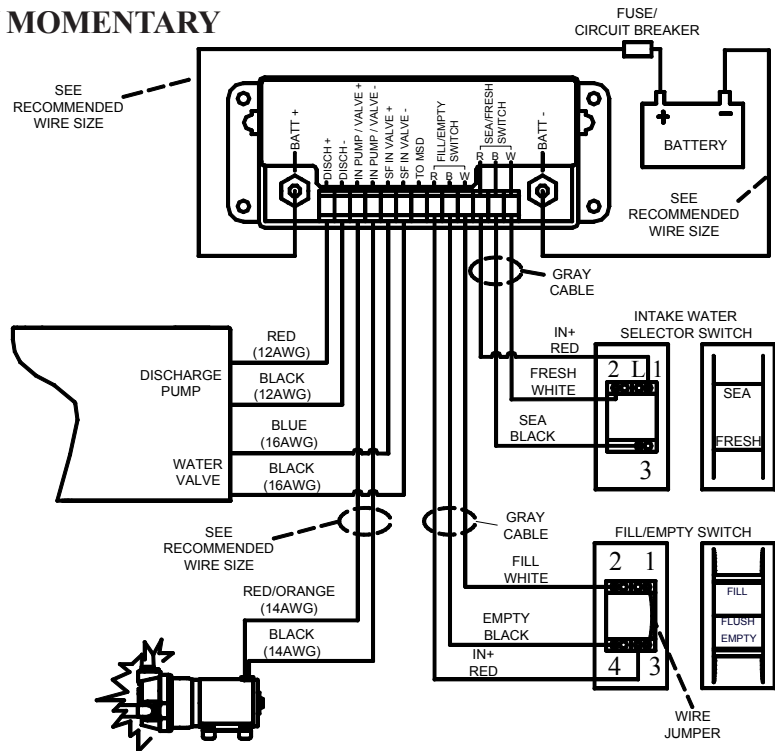


Fig. 4
WIRING FOR MULTIFUNCTION MOMENTARY CONTROL WITH SEA FRESH



For limited warranty terms and conditions please refer to toilet manual



530 Orange Street, Millville, NJ 08332 USA
 Telephone: 856-825-4900 FAX: 856-825-4409
 www.raritaneng.com
 Southern Office and Plant:
 3101 SW Second Avenue, Fort Lauderdale, FL 33315 USA
 Telephone: 954-525-0378 FAX: 954-764-4370