

PH SuperFlush

FLOOR TEMPLATE

Printing and

Assembly

Instructions.

MODELS: P101 AND P102

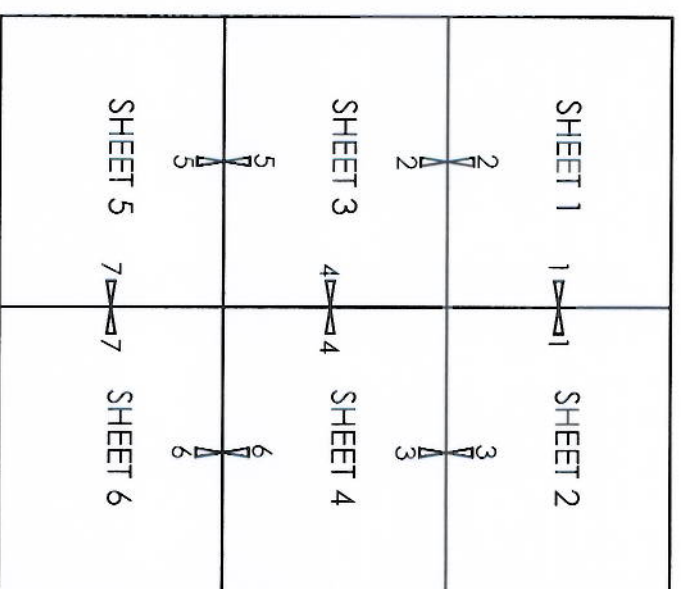
⚠ IMPORTANT:

INSTRUCTIONS FOR PRINTING AND ASSEMBLING TEMPLATE.

1. Template is PDF format, for 8 1/2 x 11" paper.
2. Page Scaling: MUST PRINT FULL SCALE (1:1)
3. With scissors, cut on 'Dashed Lines'.  — — — —
4. Align sheets accordingly using Dashed Lines and corresponding Alignment Arrows and tape together.
5. Check that printed template is the correct scale (size) by measuring at the CHECK POINT on template (lower left). You should measure 7" (178mm).

⚠ IMPORTANT:

1. DO NOT DRILL OR CUT HOLES FROM THIS TEMPLATE. FOR REFERENCE ONLY,
2. REFER TO INSTALLATION MANUAL FOR INSTALLATION DETAILS.
3. CHINA BOWL DIMENSIONS CAN VARY +/-5%. CONSIDER THIS WHEN INSTALLING.
4. DIMENSIONS ARE: INCHES [MM]

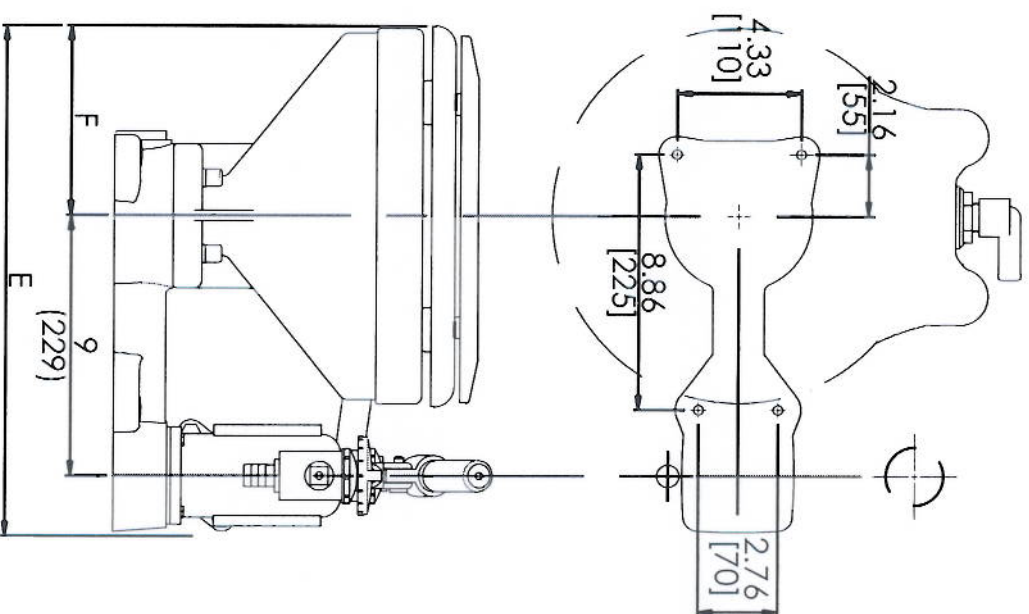
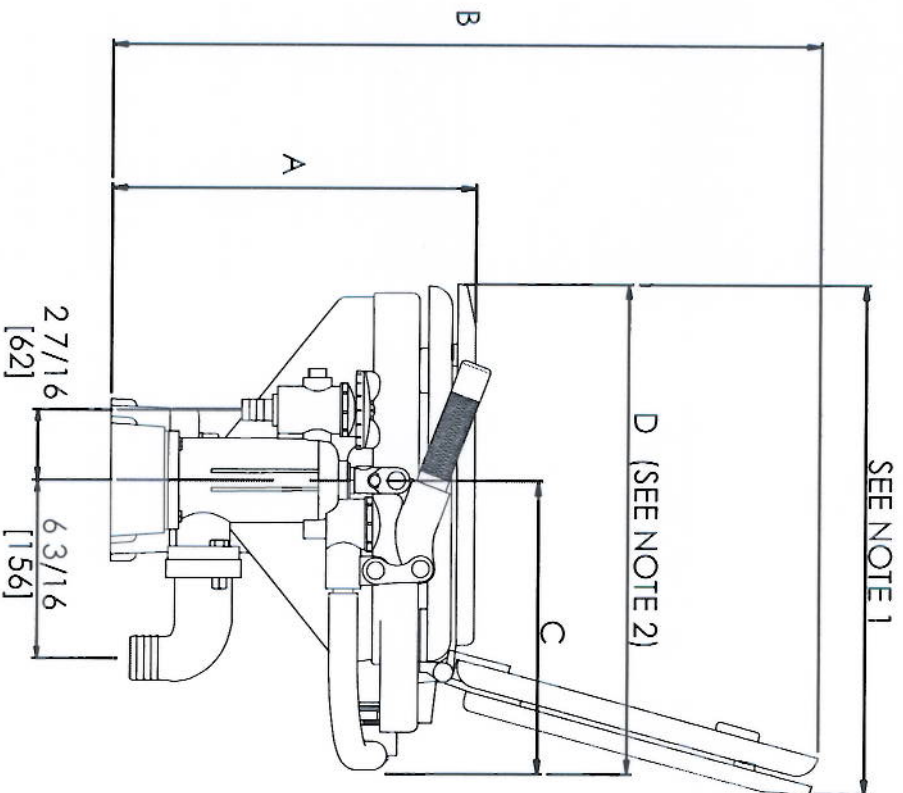


WWW.RARITANENG.COM

PH SuperFlush

RARITAN
WWW.RARITANENG.COM

MODELS: P101 AND P102



BOWL TYPE	A	B	C	D	E	F
MARINE	13 (330)	24 3/4 (629)	10 3/8 (264)	17 1/4 (438)	17 3/4 (451)	6 1/2 (165)
HOUSEHOLD	13 1/8 (334)	27 7/8 (708)	11 1/2 (292)	20 (508)	18 1/4 (464)	7 (179)

INCHES
(MM)

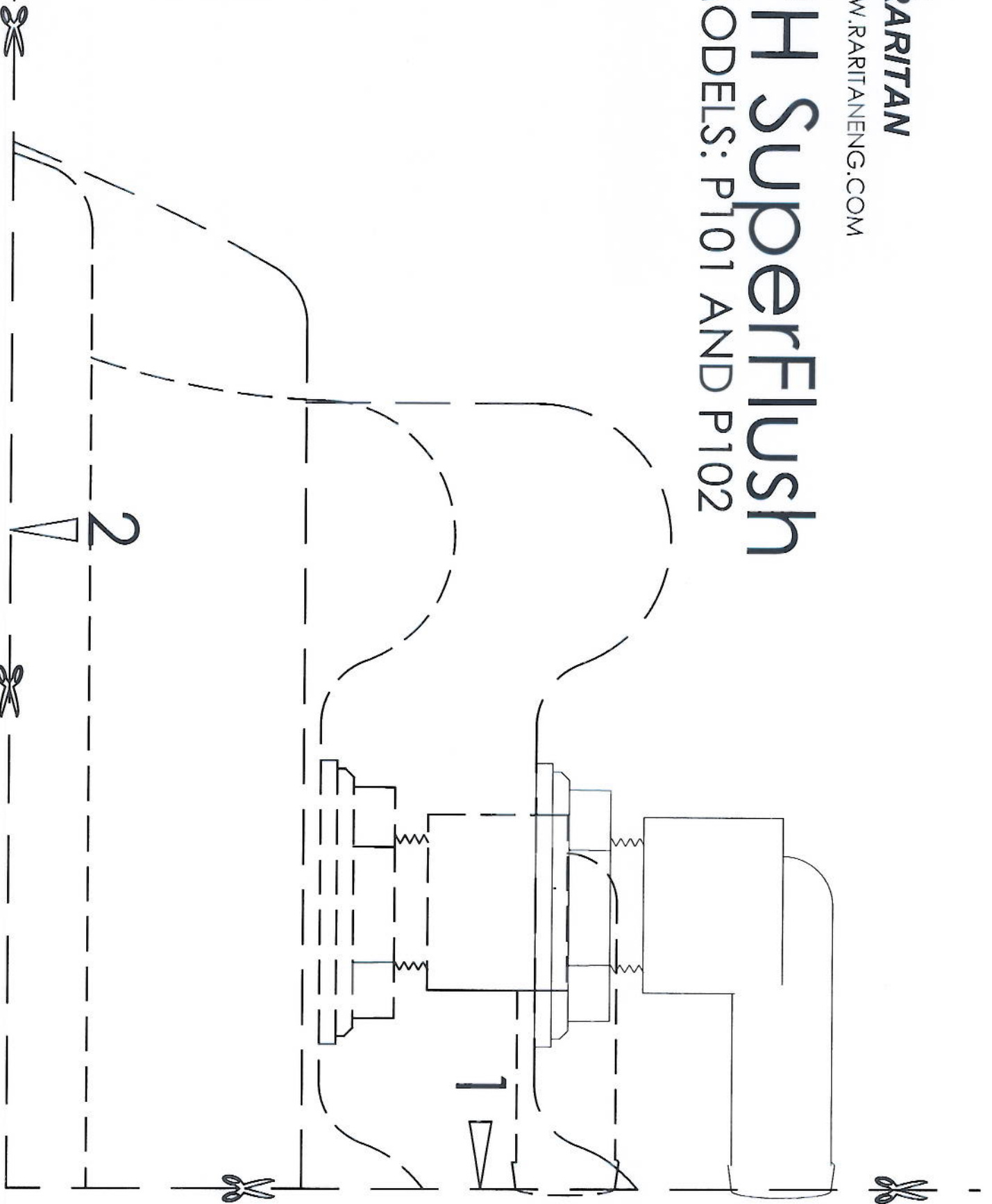
NOTE:

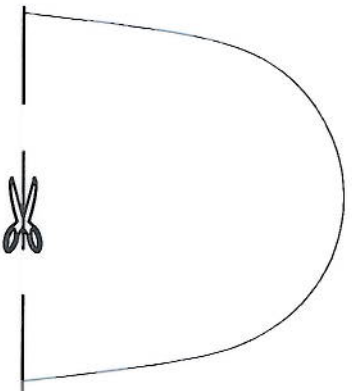
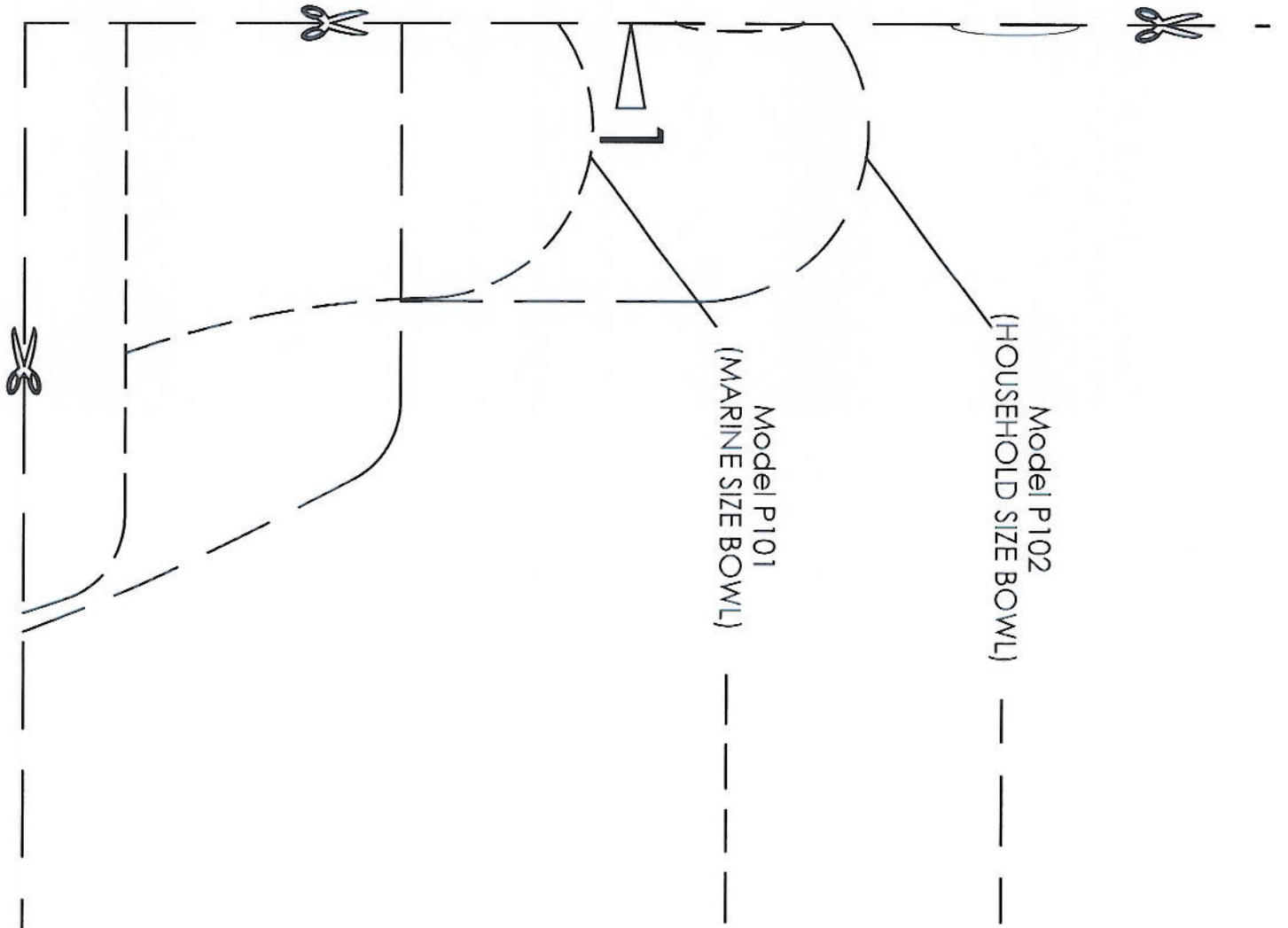
1. THE SEAT WILL OPEN WITHIN THE DEPTH OF THE BOWL (D), HOWEVER, IT MAY BE DESIRABLE TO INCREASE THIS ANGLE BY ALLOWING MORE ROOM AT THE BACK OF THE BOWL FOR THE SEAT TO OPEN.
2. MARINE STYLE BOWL, D DIMENSION IS 17 3/8 [442MM] WITH HANDLE EXTENDED.
3. DIMENSIONS ARE FOR REFERENCE AS VITREOUS CHINA DIMENSIONS MAY VARY +/- 5%.

PH SuperFlush

MODELS: P101 AND P102

SHEET 1



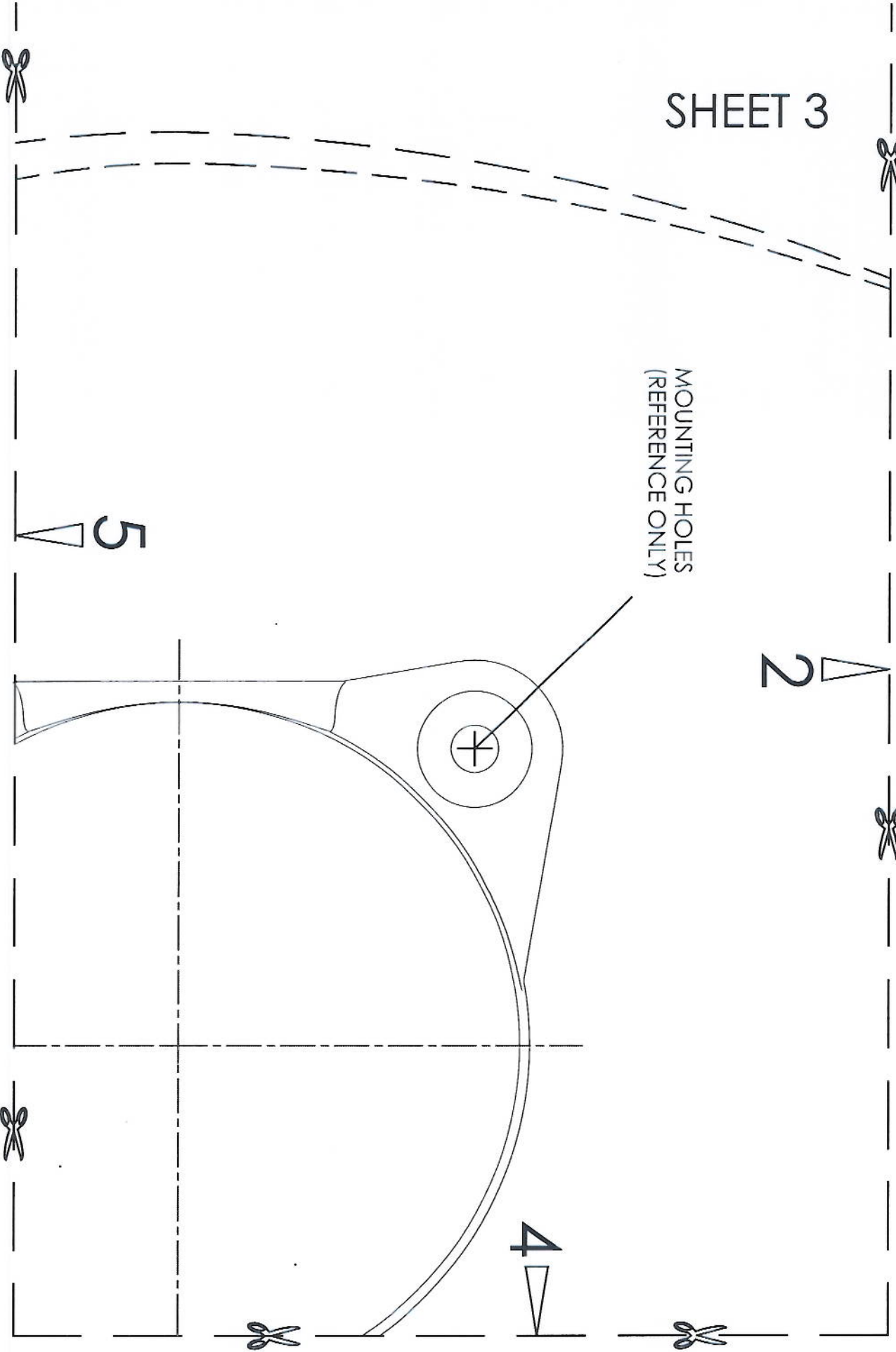


SHEET 2

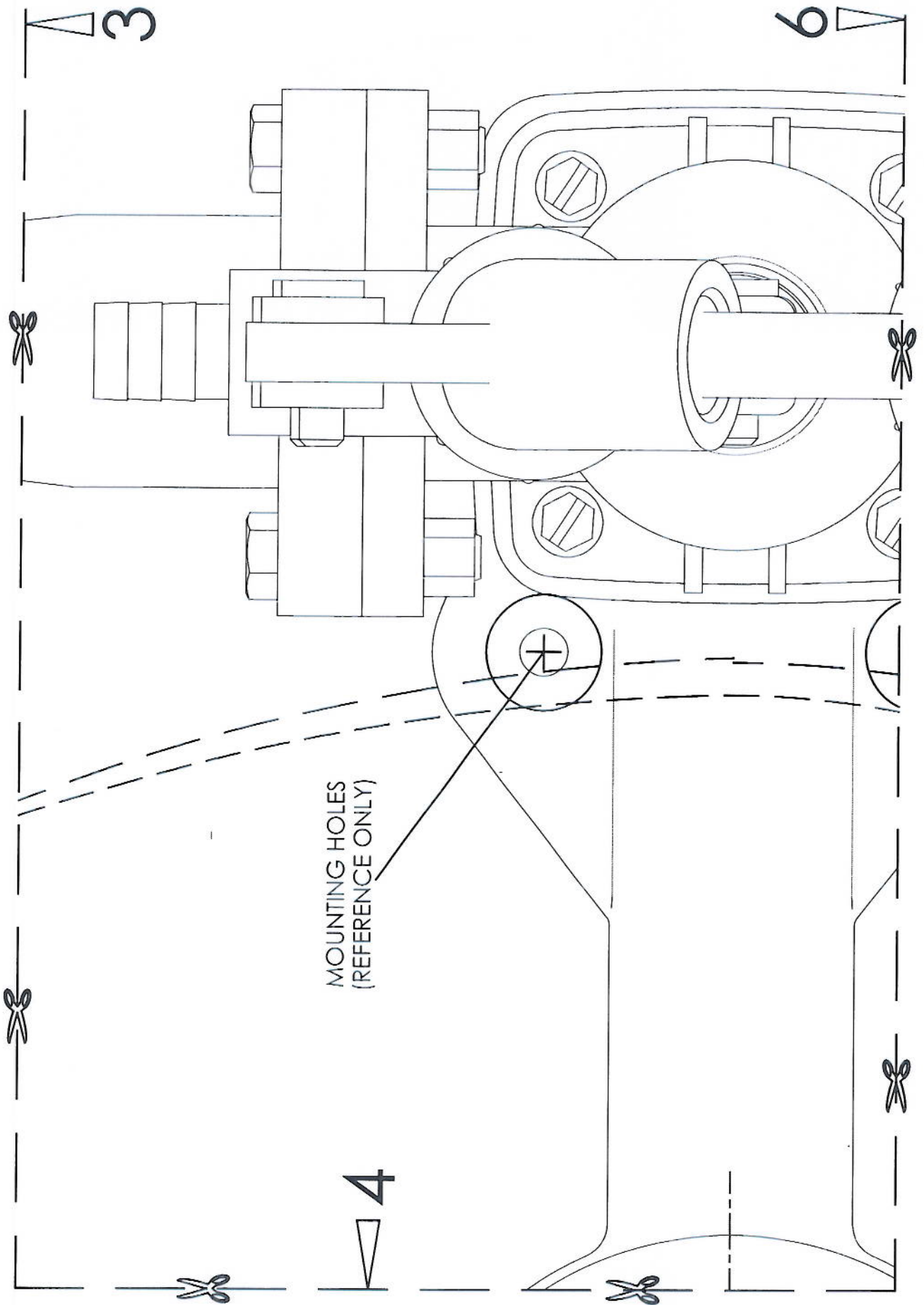
3

SHEET 3

MOUNTING HOLES
(REFERENCE ONLY)



SHEET 4





SHEET 5

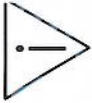
5

MOUNTING HOLES
(REFERENCE ONLY)

7

[178]

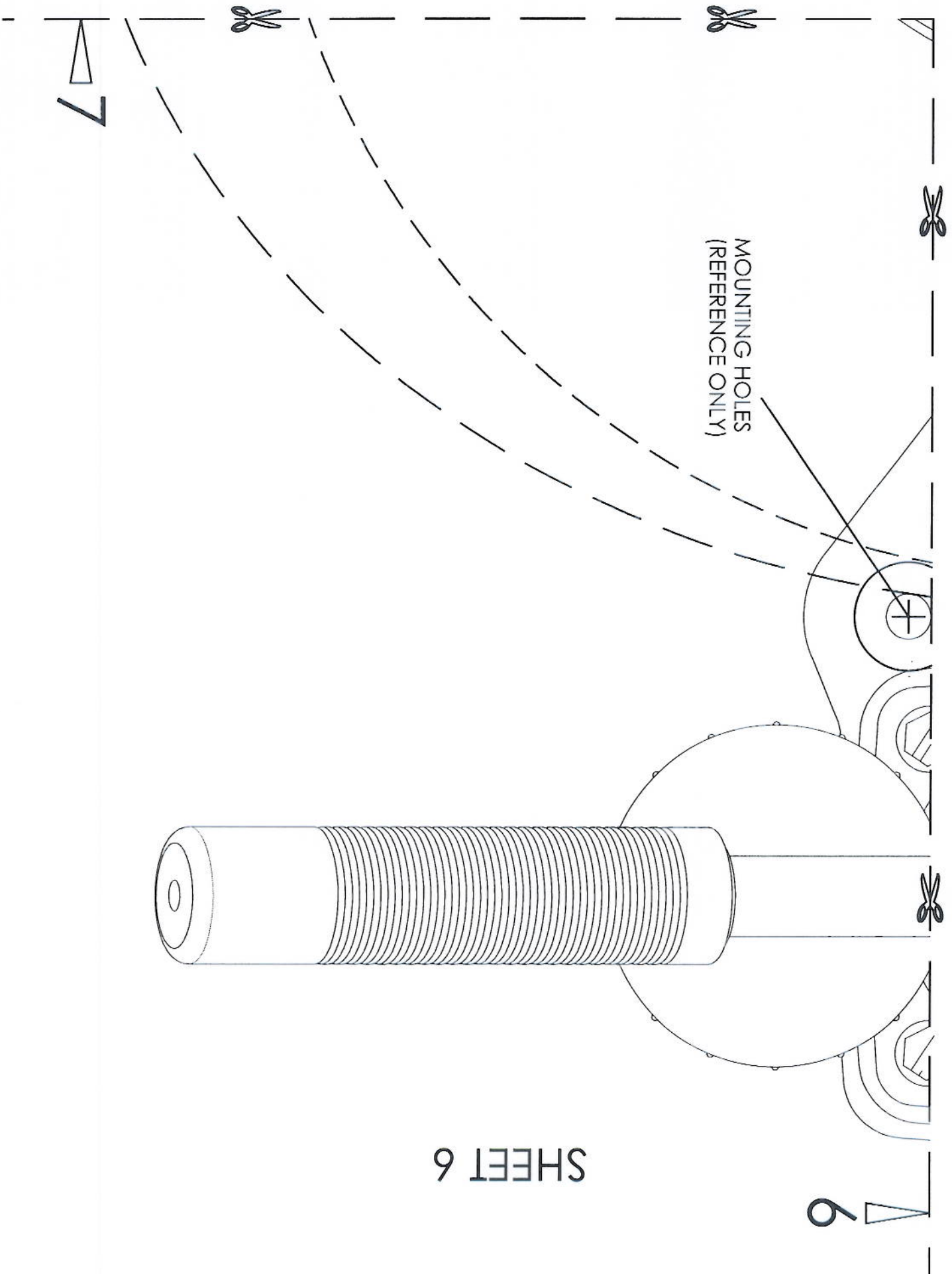
CHECK POINT



IMPORTANT:

1. DO NOT DRILL OR CUT HOLES FROM THIS TEMPLATE. FOR REFERENCE ONLY,
2. REFER TO INSTALLATION MANUAL FOR INSTALLATION DETAILS.
3. CHINA BOWL DIMENSIONS CAN VARY +/-5%. CONSIDER THIS WHEN INSTALLING.
4. DIMENSIONS ARE: INCHES [MM]





MOUNTING HOLES
(REFERENCE ONLY)

SHEET 6

7