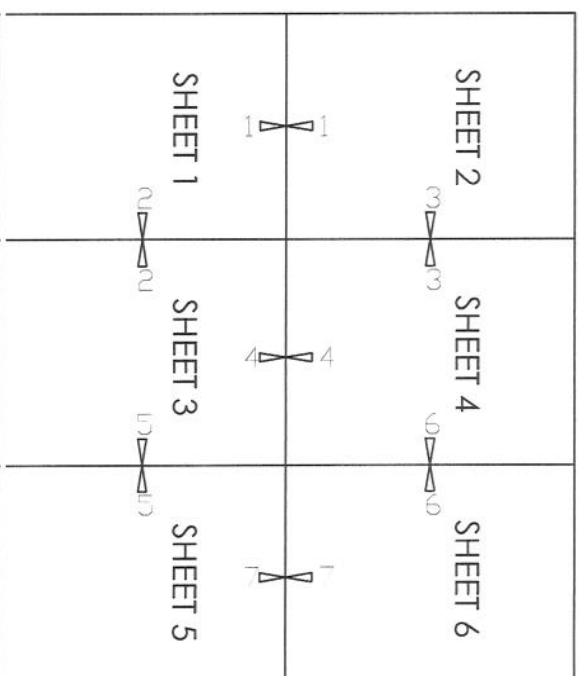


# PHII

## TOILET FOOTPRINT TEMPLATE

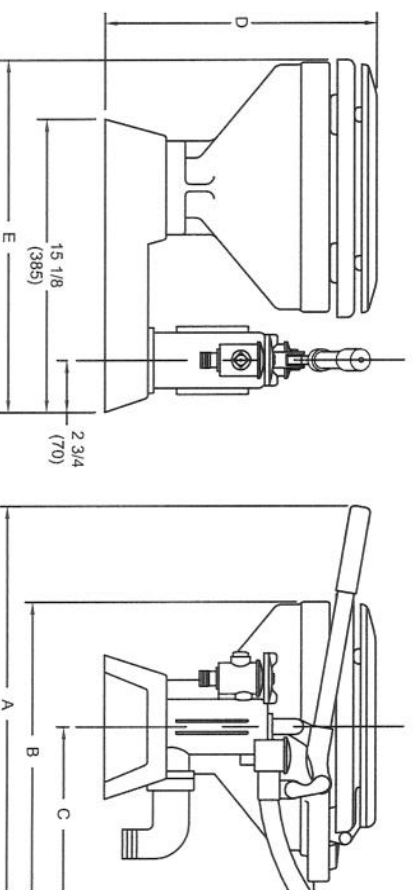
### INSTRUCTIONS FOR PRINTING AND ASSEMBLING TEMPLATE

1. Template is PDF format, for 8 1/2 x 11" paper and Landscape Orientation.
2. Page Scaling: Select 'NONE'
3. With scissors, cut on 'Dashed Lines'. -----
4. Align sheets accordingly using Dashed Lines and corresponding Alignment Arrows and tape together.



### IMPORTANT:

1. REFER TO INSTALLATION MANUAL FOR INSTALLATION DETAILS.
2. CHINA BOWL DIMENSIONS CAN VARY +/-5%. CONSIDER THIS WHEN INSTALLING.
3. DIMENSIONS ARE: INCHES [MM]
4. DO USE TEMPLATE FOR DRILLING HOLES WITHOUT FIRST CHECKING DIMENSIONS.

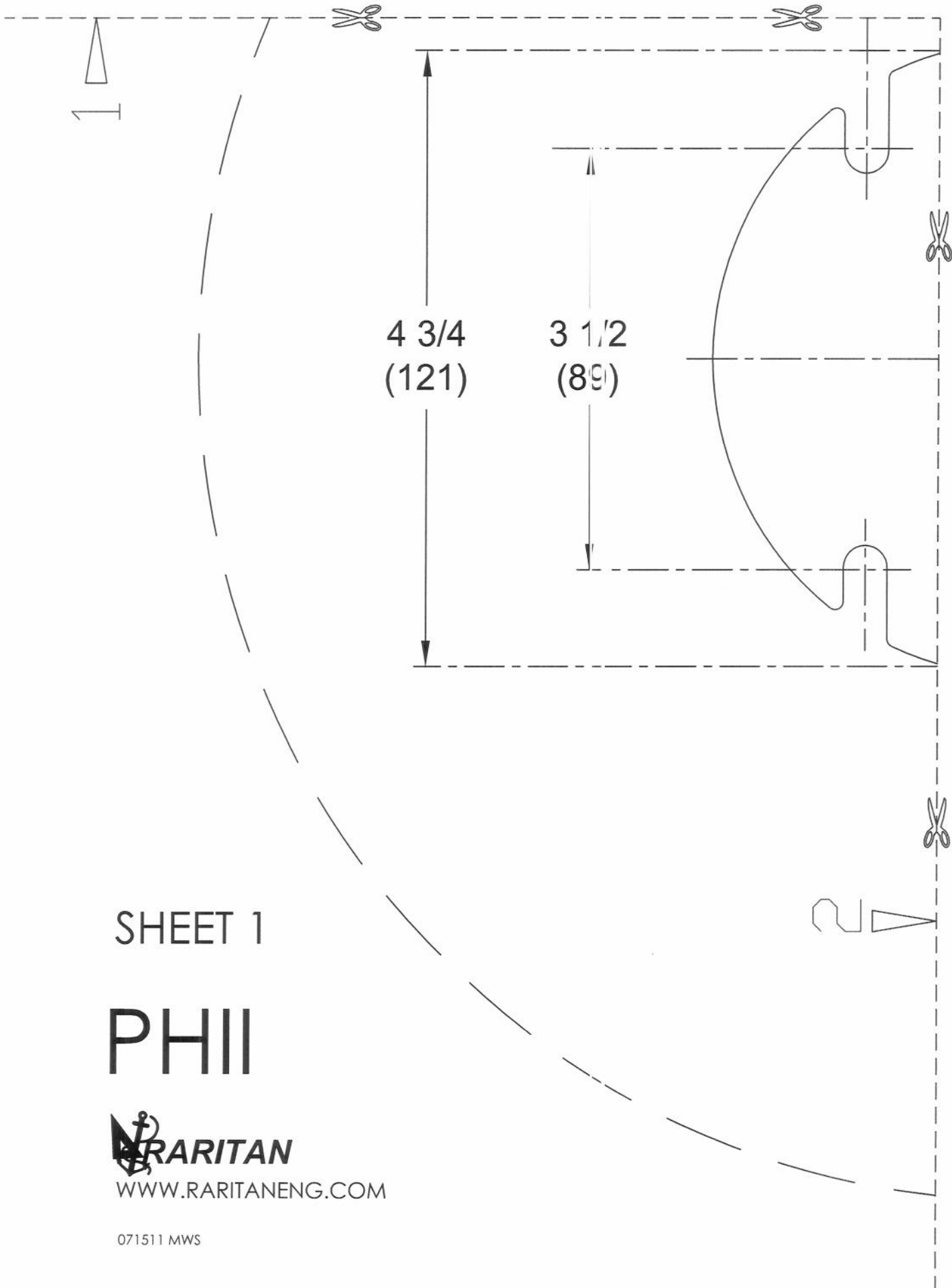


BOWL TYPE	A	B	C	D	E
MARINE	20 (588)	17 3/8 (442)	10 1/2 (267)	14 1/4 (362)	18 (458)
HOUSEHOLD	22 3/4 (578)	20 3/8 (518)	11 3/4 (300)	14 1/2 (368)	18 1/4 (464)

inch  
(mm)



WWW.RARITANENG.COM



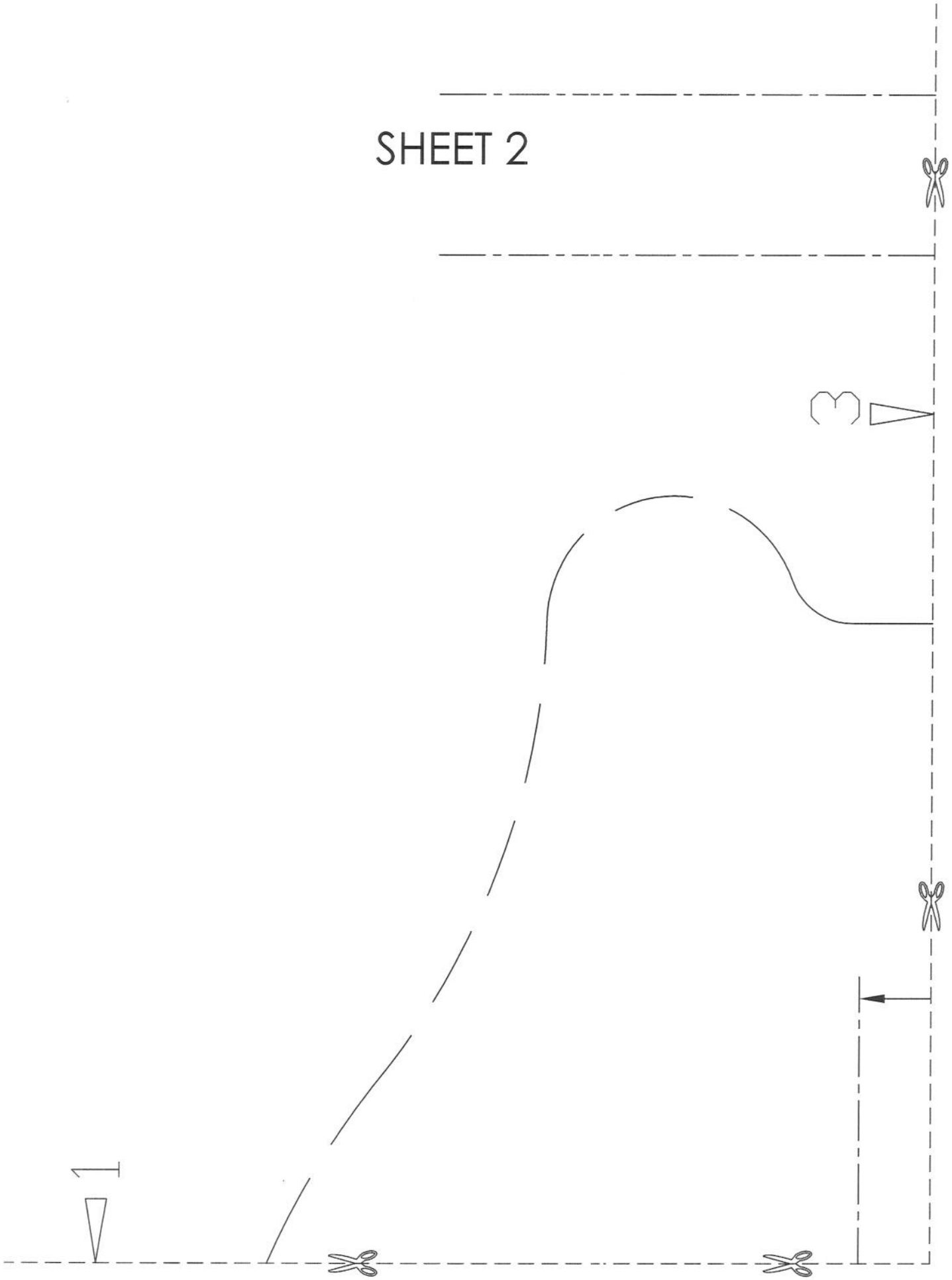
SHEET 1

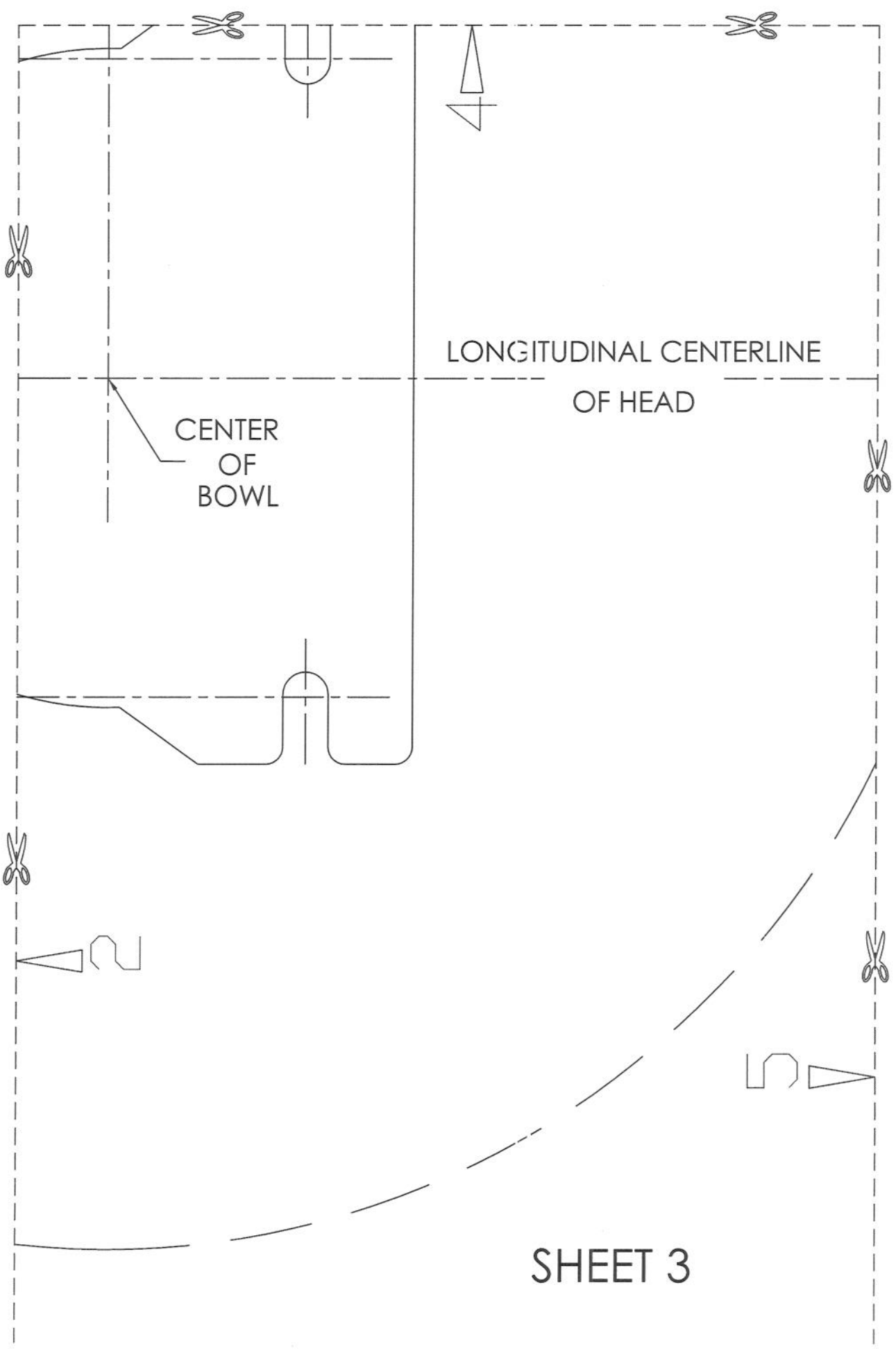
# PHII

 **RARITAN**  
WWW.RARITANENG.COM

071511 MWS

# SHEET 2



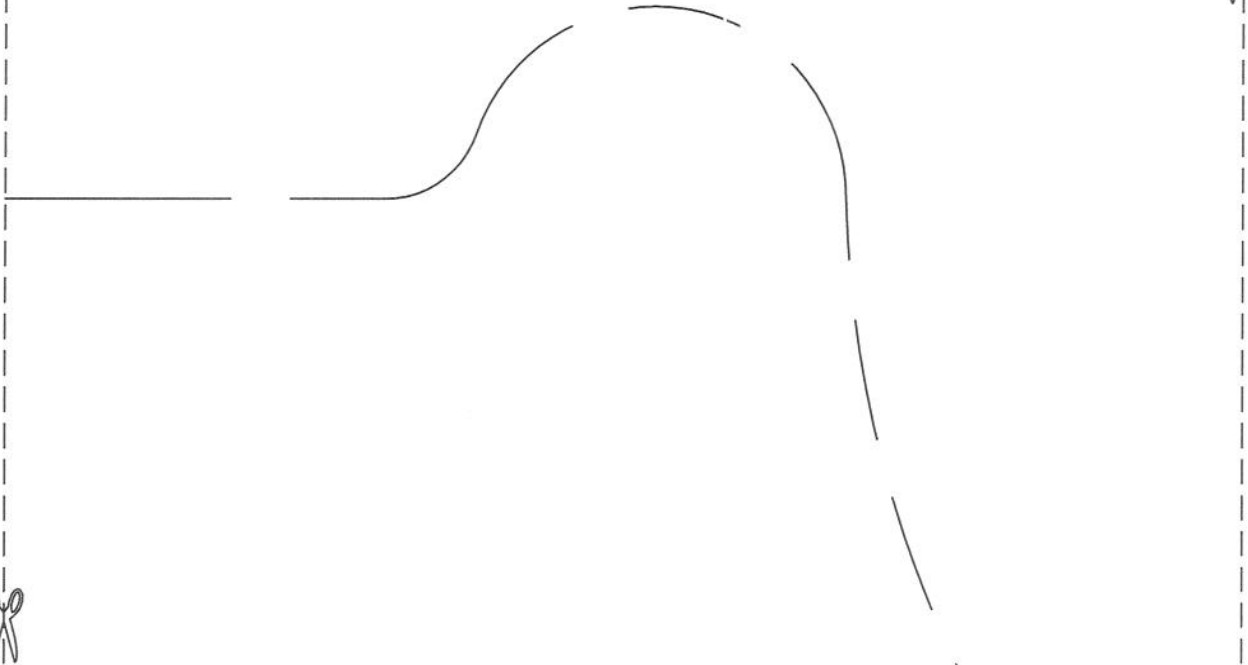
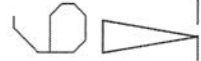


LONGITUDINAL CENTERLINE  
OF HEAD

CENTER  
OF  
BOWL

SHEET 3

# SHEET 4

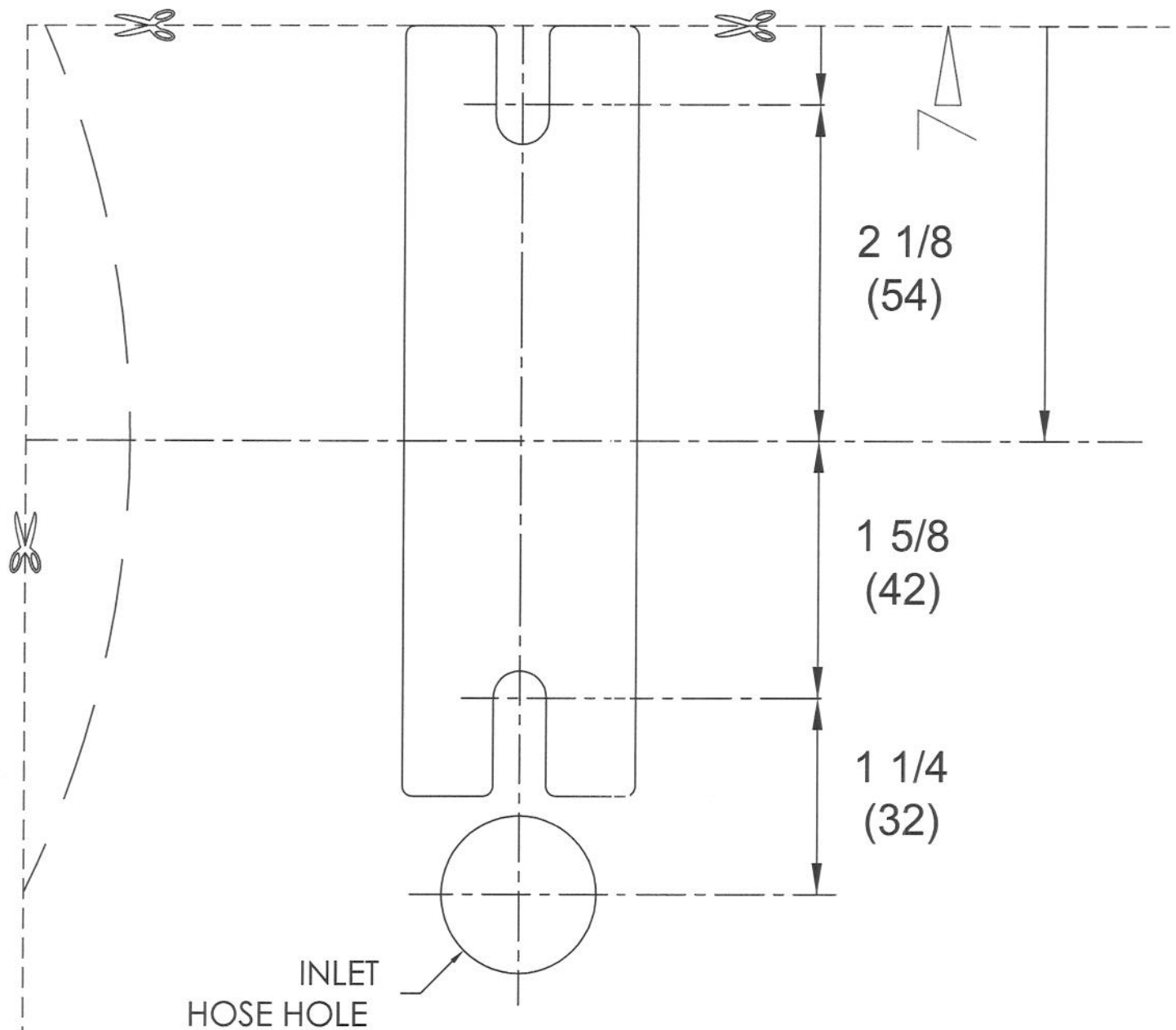


$2 \frac{3}{4}$   
(70)

$1 \frac{1}{2}$   
(38)

$7 \frac{1}{2}$   
(191)





## IMPORTANT:

1. REFER TO INSTALLATION MANUAL FOR INSTALLATION DETAILS.
2. CHINA BOWL DIMENSIONS CAN VARY +/-5%. CONSIDER THIS WHEN INSTALLING.
3. DIMENSIONS ARE: INCHES [MM]
4. DO NOT USE TEMPLATE FOR DRILLING HOLE WITHOUT FIRST CHECKING DIMENSIONS.

SHEET 5

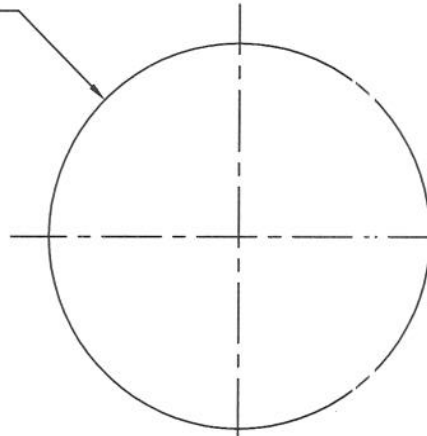
# SHEET 6

WALL AT REAR OF HEAD  
HOUSEHOLD TYPE BOWL  
(FOR REFERENCE ONLY)

WALL AT REAR OF HEAD  
MARINE TYPE BOWL  
(FOR REFERENCE ONLY)

BOWL TYPE	C
MARINE	10 1/2 (267)
HOUSEHOLD	11 3/4 (300)

DISCHARGE  
HOSE HOLE



4  
(102)

C

