



## PH SUPERFLUSH AND POWERFLUSH

- *PH PowerFlush electric model can be switched to manual superflush within minutes.*
- *Upgrading to PH SuperFlush and PowerFlush is fast and easy! Mounting base configuration matches the bolt pattern used on most competitive toilets.*
- *Clear the bowl with less strokes! Our robust double-action piston pump is 66% larger than competitive models making its use quick, easy and efficient.*
- *Trouble free operation! Proprietary full size 1½" joker valve is specially designed to maintain pump performance.*
- *Available for 12V or 24V DC operation.*

Additional benefits include:

- **Effortless Pumping!** *Powerful telescopic lever style handle makes pumping a breeze, even in the most challenging plumbing installations.*
- **Superior strength!** *Our engineered polymer pump construction is the strongest on the market.*
- **Slow close seats!** *Prevents annoying seat slamming and includes a unique feature that locks the seat in place while boat is rocking.*

*All units have a dry flush option and may be mounted above or below the waterline. Reversible pump mounting available for left hand operation. Available in both Marine and Household bowls sizes.*

*Prefer to use your old bowl and seat?*

*Retrofits are available – see reverse for part# details.*

*Most items are in stock and available to ship within 24 hours.*

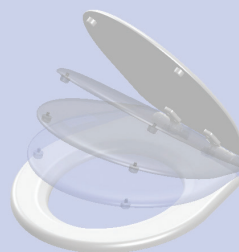


**PH POWERFLUSH**



**PH SUPERFLUSH**

### ***NEW! Slow close seat design***

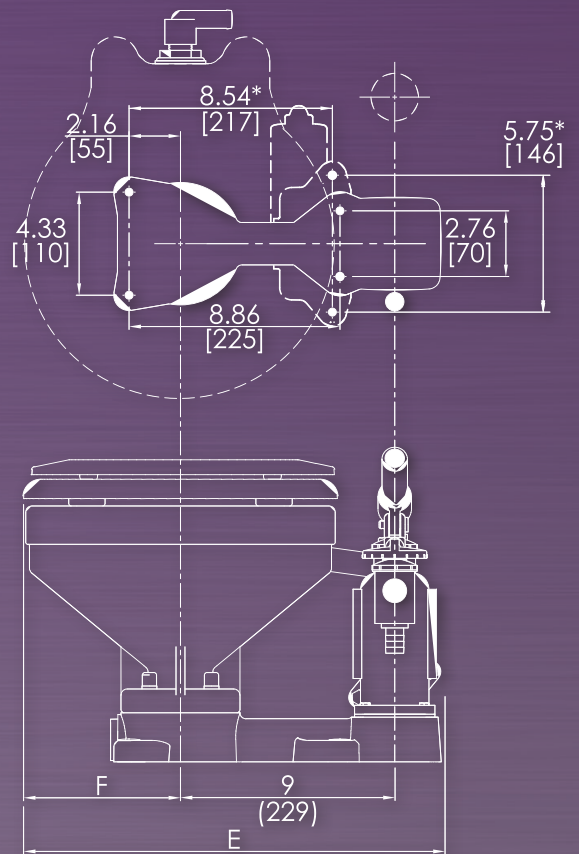
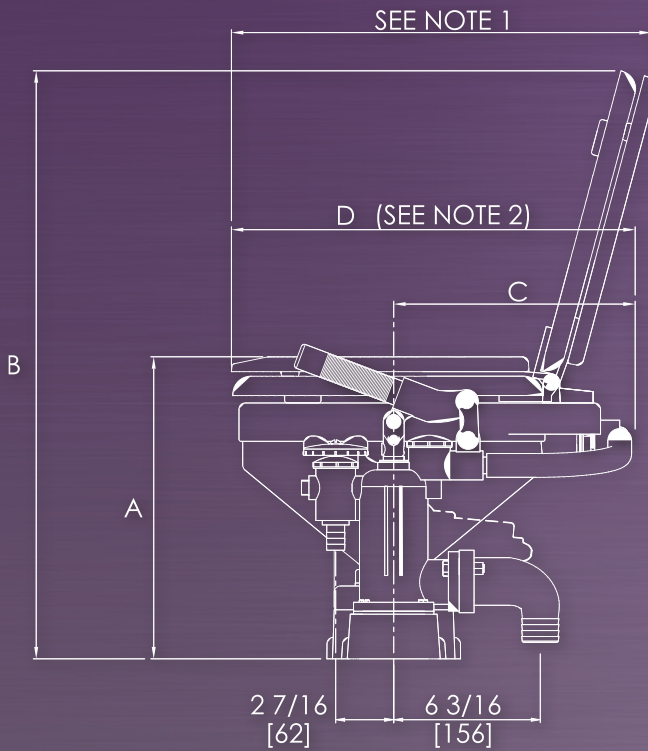


*Seat locks in place while boat is rocking.*

***No more slamming seats!***

To view our complete line as well as obtain installation and servicing guides: visit [www.raritaneng.com](http://www.raritaneng.com)

# DRAWINGS:



**NOTE:**

1. THE SEAT WILL OPEN WITHIN THE DEPTH OF THE BOWL (D), HOWEVER, IT MAY BE DESIRABLE TO INCREASE THIS ANGLE BY ALLOWING MORE ROOM AT THE BACK OF THE BOWL FOR THE SEAT TO OPEN.
2. MARINE STYLE BOWL, D DIMENSION IS 17 3/8 [442MM] WITH HANDLE EXTENDED.
3. DIMENSIONS ARE FOR REFERENCE AS VITREOUS CHINA DIMENSIONS MAY VARY +/- 5%.

\*: ELECTRIC FLUSH OPTION

BOWL TYPE	A	B	C	D	E	F
MARINE	13 (330)	24 3/4 (629)	10 3/8 (264)	17 1/4 (438)	17 3/4 (451)	6 1/2 (165)
HOUSEHOLD	13 1/8 (334)	27 7/8 (708)	11 1/2 (292)	20 (508)	18 1/4 (464)	7 (179)

INCHES  
(MM)

## PLUMBING:

Maximum Lift	4' (1.2m)
Max Discharge Loop Height	15' (4.6m)
Inlet Port Size	3/4"
Discharge Port Size	1 1/2"

## ELECTRICAL:

	12V	24V
Max. Amp Draw	8	4
Circuit Breaker	10	10

## ORDERING INFO:

Sample Part: P101E12= Marine size bowl, electric drive 12V DC

Model	Bowl (white) Size	Operation	Voltage
P10	1- Marine size 2 - Household size 3 - Lower Assembly ( No Bowl) 4- electric conversion kit	None-manual E- electric	None-manual 12- 12V DC 24- 24V DC T- 115V/230V AC



[www.RARITANENG.com](http://www.RARITANENG.com)

**Raritan Engineering Company Inc.**  
 530 Orange Street  
 Millville, NJ 08322, USA  
 Telephone: 856-825-4900 | Fax: 856-825-4409  
 e-mail: info@raritaneng.com

**Southern Plant and Office**  
 3101 SW 2nd Avenue  
 Ft. Lauderdale, FL 33315, USA  
 Telephone: 954-525-0378 | Fax: 954-764-4370