



SeaEraQC

New straightforward design allows the simplest of installation while providing top of the line controls.

Freshwater Solenoid Model (162MF* or 162HF*)

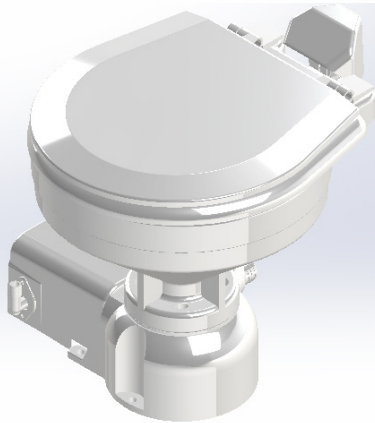
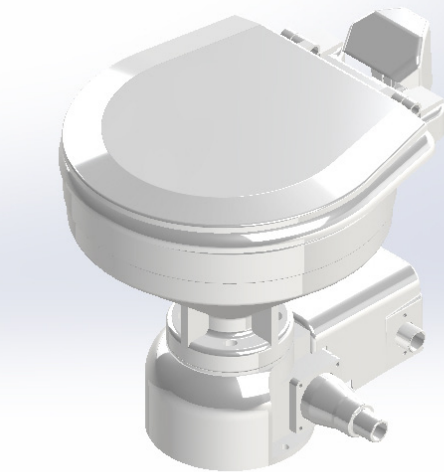
- Whisper Flushsm design for quiet operation
- Less maintenance and odors than raw water models
- Connects to vessels existing pressurized system
- Easy installation with integral vacuum breaker
- Low power consumption

Remote Intake Pump Model (162MR* or 162HR*)

- Reduces noise levels
- Easier access to intake pump, more flexible installation when long runs are required

Both Models

- Available with Smart Toilet Control - Maximizes flush efficiency with low water consumption and noise levels
- Uses as little as 2 pints of water per flush
- Easily adapts to our SeaFresh model allowing the user to select between raw or freshwater
- Base rotates 90 degrees for installation in tight areas
- Available for 12, 24, 32V DC or 120/240V AC



High quality electric marine toilet with proven reliability that meets the demands of real world boating and your budget

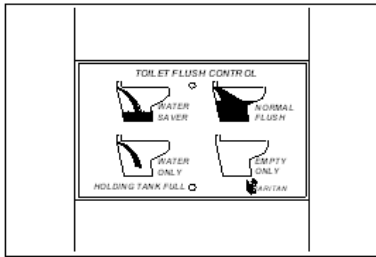
Household size bowls, fresh or raw water usage and 90 degree discharge options to meet any installation requirement. Bowl can be rotated 90° for mounting in confined spaces

Raritan products are chosen by powerboat, sailboat, houseboat, and RV owners and manufacturers the world over for their dependability, environmental responsibility, simplicity of installation, operation, and maintenance. The product line includes house-hold style toilets, marine toilets, marine sanitation devices and systems, cleaning products, icemakers, water heaters, and rudder angle indicators.

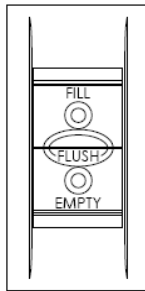
To view our complete line as well as obtain installation and servicing guides: visit www.raritaneng.com

SeaEra

Choice of controls:



Smart Toilet Control - Ultimate control over intake and discharge water. Timed flush when using water saver or normal flush cycle



Multifunction Momentary - Allows independent operation of intake or discharge no timed flush



Momentary Push Button - Most economical



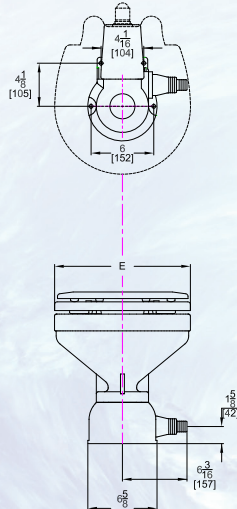
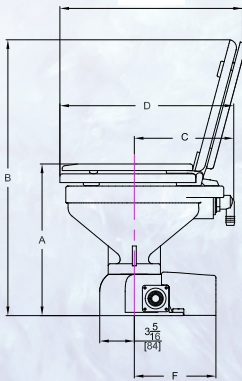
Sea/Fresh selector - When both solenoid and remote pump are installed, user can easily select between raw or fresh water

PART # CONFIGURATION:

Model	Bowl	Intake water	Discharge Fitting	Voltage	Control
162	L -Lower base Conversion M - Marine Bowl H - Household Bowl	F - pressurized fresh water R - remote raw water pump S - Sea Fresh	0 - Straight and 90° both included	12 - 12VDC 24 - 24VDC 32 - 32VDC 12T - 120/240 AC	None - Smart Toilet Control (STC) 01 -Multifunction Momentary Control 02 - Push Button Control

Example: Part # 162MF012--Marine size white bowl, pressurized fresh water, 12V, STC Control

Pressurized Freshwater or Remote Sea Water Model



BOWL TYPE	A	B	C	D	E	INTAKE	F
MARINE	14 1/2 (368)	26 1/2 (673)	10 3/8 (264)	17 1/4 (438)	13 (330)	PRESSURIZED FRESH WATER	8 7/8 (225)
HOUSEHOLD	14 7/8 (378)	29 5/8 (752)	11 1/2 (292)	20 (508)	14 3/8 (365)	REMOTE PUMP	7 13/16 (199)

Specifications:

Electrical	With remote pump: 23A@12V 12.5A@24V 9A@32V Pressurized water: 13A@12V 7.5A@24V
Inlet Fitting	1/2"(13)Hose barb--Pressurized water 3/4"(19) Hose barb- pump model
Discharge Fitting	1"(25) or 1.5"(38) hose -straight 1.5"(38) hose -90 degree
Max Lift	4' (1219)
Discharge ht.	9'(2743) vertical / 50' horizontal
Shipping wt.	38-40lb (17-18KG)

For more information contact:

Raritan Engineering Company Inc.
530 Orange Street
Millville, NJ 08332, USA
Telephone: 856-825-4900
Fax: 856-825-4409
e-mail: info@raritaneng.com

Southern Plant and Office
3101 SW 2nd Avenue
Ft. Lauderdale, FL 33315, USA
Telephone: 954-525-0378
Fax: 954-764-4370



raritaneng.com