

# 120/240 VAC - 24 VDC Raritan Rectified Transformer

Atlantes (#RTAH24DA), Crown Head II, Crown Head or SeaEra (#RTCH24DA)

## Installation Instructions

THE FOLLOWING ARE CAUTIONARY STATEMENTS THAT MUST BE READ AND FOLLOWED DURING BOTH INSTALLATION AND OPERATION

**WARNING:** *Raritan Engineering Company, Inc. recommends that a qualified person or electrician install this product. Equipment damage, injury to personnel or death could result from improper installation. Raritan Engineering Company, Inc. accepts no responsibility or liability for damage to equipment, or injury or death to personnel that may result from improper installation or operation of this product.*



**WARNING:** HAZARD OF FLOODING - Always shut off seacocks before leaving the boat unattended.



Double clamp all hose fittings and check frequently for integrity.

**HAZARD OF SHOCK OR FIRE** - Always use recommended fuse, circuit breaker and wire size.

### NOTE - BEFORE BEGINNING INSTALLATION

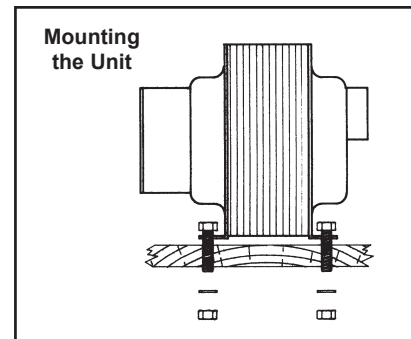
Connect the Raritan Rectified Transformer unit **only** to a Raritan Atlantes, Crown Head II, Crown Head or SeaEra series electric marine toilet utilizing a **24 Volt D.C.** motor(s). Do not connect to any other equipment. For proper operation of an Atlantes use transformer #RTAH24DA. For proper operation of a Crown Head II, Crown Head or SeaEra use transformer #RTCH24DA.

### DESCRIPTION

The Raritan Rectified transformer combines a stepdown transformer and a rectifier into a compact unit, enabling 24 volt D.C. toilets to operate on nominal 120 or 240 volt A.C. current. It **must not** be used with any other equipment or on any other voltage toilets.

### MOUNTING

**Do not mount in an area where the Rectified Transformer will be exposed to water, spray, fuel vapor or fumes.** Mount in a clean, protected, dry area such as a vanity as close to the toilet as possible. Secure the unit to a bulkhead, wall, deck or platform by its mounting "feet", using through bolts, nuts and washers.

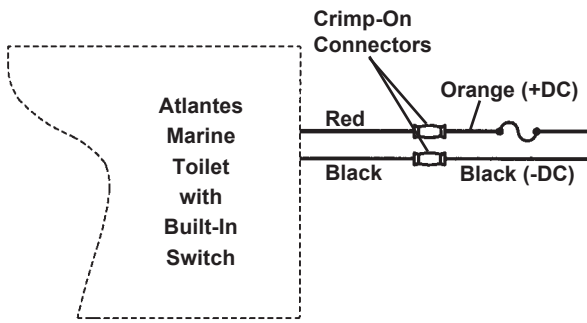


### WIRING

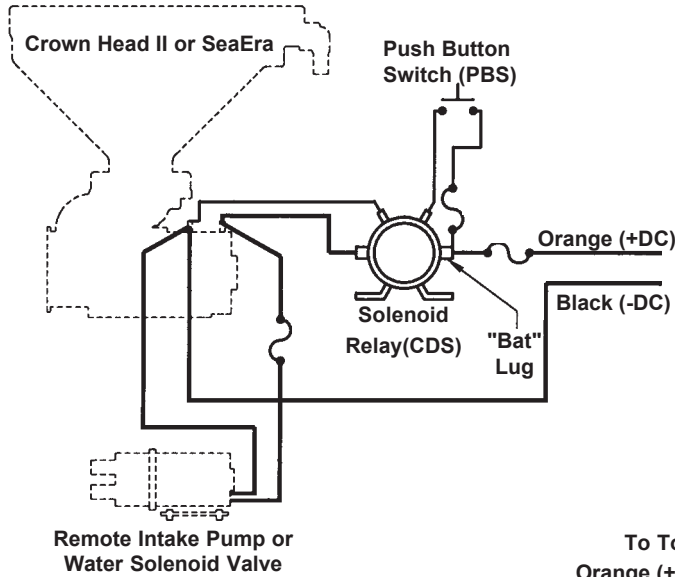
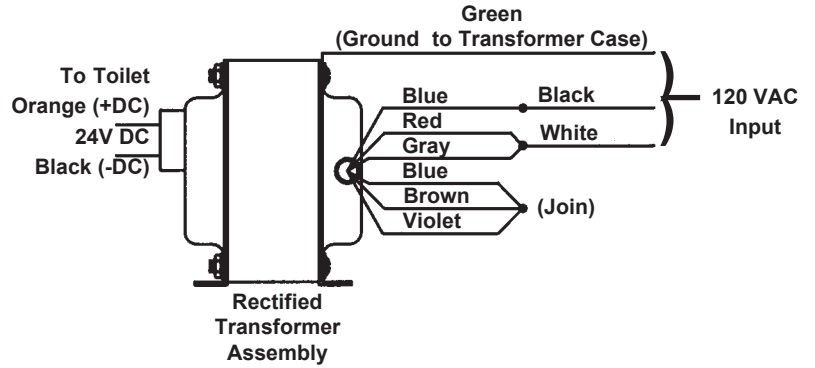


**WARNING: HAZARD OF SHOCK**

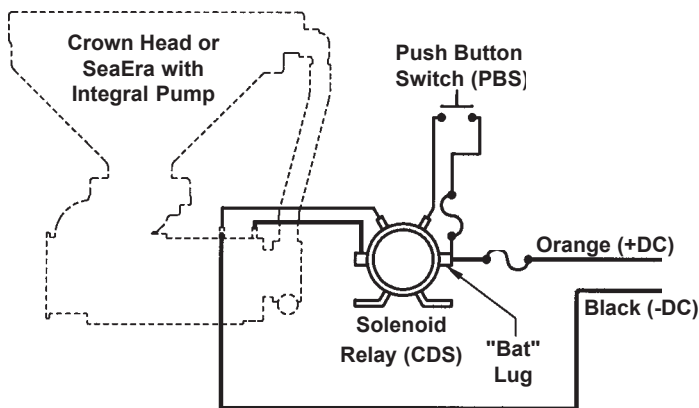
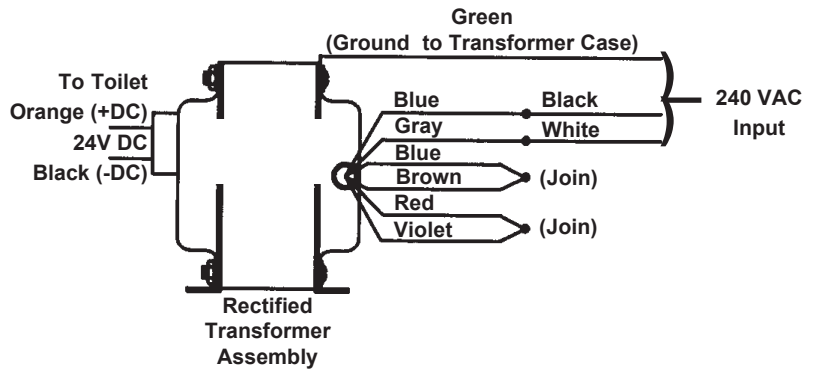
**Disconnect power at source.** The A.C. source must have a Ground Fault Circuit Interrupter (GFCI) with a rating of 15amps. When wiring, follow A.B.Y.C. guidelines in Sections E-8 (for alternating current) and E-9 (for direct current). Do not use wire rated for less ampacity than the GFCI. Make incoming connections as shown on the back of this sheet for 120 VAC or 240 VAC, depending on source voltage. Refer to the Owner's Manual for the specific electric toilet in order to determine proper wire sizes and circuit breaker values from the 24 VDC output of the Rectified Transformer to the input of the 24 VDC marine toilet.



### Wiring Schematic 120 VAC Source Voltage and Rectified Transformer



### Wiring Schematic 240 VAC Source Voltage and Rectified Transformer



**SEE OWNERS MANUAL FOR PROPER FUSE/CIRCUIT BREAKER AND WIRE SIZES**



530 Orange Street, Millville, NJ 08332 USA  
 Telephone: 856-825-4900 FAX: 856-825-4409  
 www.raritaneng.com

Southern Office and Plant:  
 3101 SW Second Avenue, Fort Lauderdale, FL 33315 USA  
 Telephone: 954-525-0378 FAX: 954-764-4370