

HOLD N' TREAT SYSTEM



NEW

Total onboard, environmentally friendly, waste management system utilizing the best available Type I MSD treatment technology, legal for use in all waters.

A 15 gallon holding tank combined with a Type I MSD capable of processing up to 140 gallons of waste per week. Locking switch to prevent accidental discharge.

Standard Features

- Satisfies discharge regulations in all U.S. waters
- Complete “drop in place” system
- Combination Type I and Type III MSD System

Benefits

- Ultimate flexibility with deck pump-out or treated discharge
- Legal for use in all waters
- Simple flexible installation
- Compact size
- External tank level indicator controls system during Automatic operation
- Includes a waste transfer pump to process waste from tank to Type I
- Three modes of operation - Automatic, No-Discharge and Override
- Easy to clean and maintain

Options

- Available in 12 and 24V DC

Hold n' Treat System

Hold n' Treat System Complete - Part # 21S1512 - 15 gallon holding tank with Electro Scan Type I MSD.

The Federal Water Pollution Control Act of 1972 prohibits the discharge of raw sewage from vessels navigating in the waters of the United States. The law provides three sewage disposal alternatives;

- (1) raw sewage may be retained on board and subsequently transferred to pump-out facilities on shore for delivery to a sewage treatment plant (A Type III Device)
- (2) it may be processed through a Coast Guard approved on board marine sanitation device (MSD) and the treated waste discharged overboard (Type I and Type II Devices) or,
- (3) it may be discharged into the sea when outside the three mile limit (in some cases as far as 9 miles).

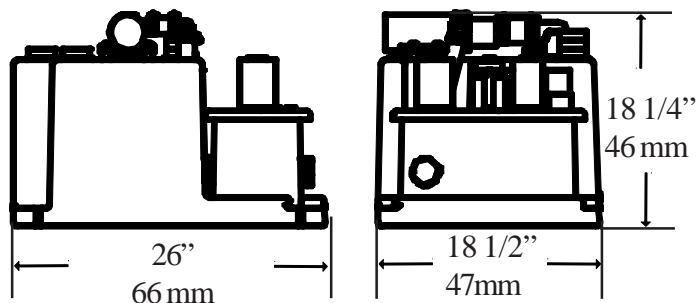
The efficacy of sewage treatment and the "purity" of sea water for purposes including swimming and the harvesting of shellfish for human consumption is typically measured by the number of coliform bacteria present in a 100 milliliter (approximately 3 ounce) sample of water. Existing Coast Guard and EPA regulations allow MSDs to treat waste to a 1,000 coliform per 100ml standard. In general, the sea at bathing beaches is considered safe for swimming when it contains up to 200 coliform per 100 ml. Shellfish harvested for human consumption may be harvested from waters containing up to 14

coliform per 100 ml. The current Type I included with this system treats to a level of 10 coliform per 100 ml.

This degree of water purity often surpasses that of the water in which the boat is floating. Achievement of this level of treatment assures that even prior to the massive dilution that occurs immediately upon discharge of the treated effluent (dilution in excess of 10,000:1 within minutes) there can be no detrimental effect on the environment.

This system is small enough for installation in almost any vessel, moderately priced, reliable and self monitoring. Improvements in the control and operation of the Type I device assure quality and reliable treatment.

Dimensions



Sample Installation

