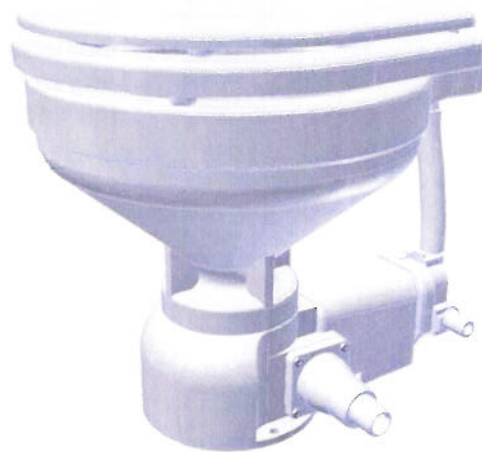


**ARARITAN**  
THE MOST DEPENDABLE NAME ON THE WATER



## SeaEra

High quality electric marine toilet with proven reliability that meets the demands of real world boating and your budget

Household size bowls, fresh or raw water usage and 90 degree discharge options to meet any installation requirement

### Integral Intake Model (160MI\* or 160HI\*)

- Quick and easy raw water flush installation
- Includes an in-line strainer

### Remote Intake Pump Model (160MR\* or 160HR\*)

- Reduces noise levels
- Easier access to intake pump, more flexible installation when long runs are required
- Includes an in-line strainer

### Freshwater Solenoid Model (160MF\* or 160HF\*)

- Whisper Flush<sup>sm</sup> design for quiet operation
- Less maintenance and odors than raw water models
- Connects to vessels existing pressurized system
- Includes a vacuum breaker
- Low power consumption

### ALL SeaEra Models

- Uses as little as 1 quart per flush
- Simple and flexible installation for mounting above or below waterline
- Bowl can be rotated 90° for mounting in confined spaces
- Heavy-duty marine push button switch included
- Straight discharge fits 1 1/2" (38mm) or 1" (25mm) discharge line with no adapters, Ninety degree 1 1/2" (38mm) discharge fitting also available
- Available for 12, 24, 32V DC or 120/240V AC.

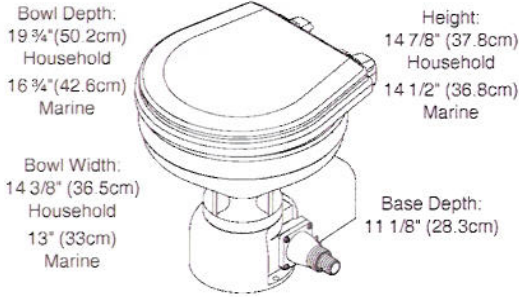
*Raritan products are chosen by powerboat, sailboat, houseboat, and RV owners and manufacturers the world over for their dependability, environmental responsibility, simplicity of installation, operation, and maintenance. The product line includes house-hold style toilets, marine toilets, marine sanitation devices and systems, cleaning products, icemakers, water heaters, and rudder angle indicators.*

*To view our complete line, to obtain installation and servicing guides, visit [raritaneng.com](http://raritaneng.com).*

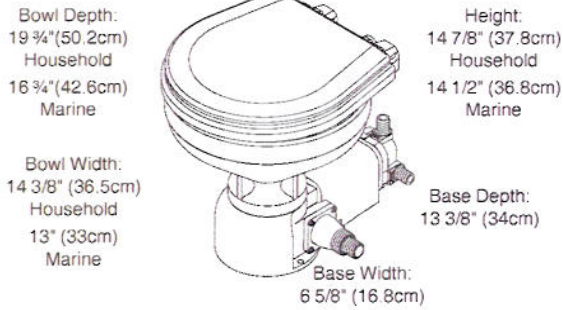
**THE MOST DEPENDABLE NAME ON THE WATER**

# SeaEra

## Pressurized Freshwater or Remote Sea Water Model



## Integral Sea Water Model

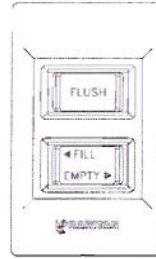


The SeaEra is an economical electric macerating toilet that fits into confined spaces. This toilet was designed to meet the needs of boaters.

Engineering has developed a new built-in discharge fitting that can accept either 1 1/2" (38mm) or 1" (25mm) discharge lines without the need for an adapter. The SeaEra's discharge pump can handle a vented loop with a maximum height of five feet (1.52m) and utilizes a full-sized joker valve to help avoid clogging.

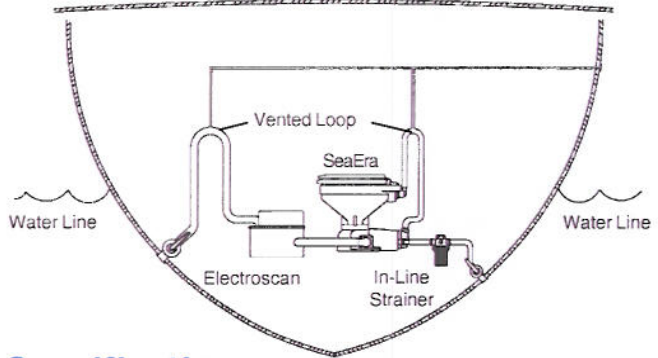
The inlet pump can lift water from four feet (1.22m) below the toilet and can be run dry without damaging the pump. To simplify a new installation or a retrofit, water can be routed from either side of the inlet pump using interchangeable 3/4" (19mm) hose barb fittings (two straight and one 90), which are included.

## Optional Control



The optional control allows for independent operation of incoming water and macerator or momentary operation of both. Will only work with Freshwater and Remote models

## Integral Intake Pump Installation Below Waterline



## Specifications

| Units Voltage | Integral Pump Model         | Remote Pump Model           | Freshwater Solenoid Model   |
|---------------|-----------------------------|-----------------------------|-----------------------------|
|               | Amp. draw @ nominal voltage | Amp. draw @ nominal voltage | Amp. draw @ nominal voltage |
| 12 VDC        | 18                          | 23                          | 13                          |
| 24 VDC        | 10                          | 12.5                        | 7.5                         |
| 32 VDC        | 7.5                         | 9                           | 5                           |

### Additional parts that are needed for installation:

Four stainless steel mounting bolts or lag screws (minimum 1/4" [6mm]) and washers, 1" (25mm) or 1 1/2" (38mm) I.D. discharge hose, 3/4" (19mm) I.D. intake hose, hose clamps, wire, fuses or circuit breakers.

**Approximate Shipping Weight:** 38-40lbs (17-18kg)

## Product Models

|     |        |                               |                           |                  |                 |                        |                       |                      |                |                    |    |    |             |
|-----|--------|-------------------------------|---------------------------|------------------|-----------------|------------------------|-----------------------|----------------------|----------------|--------------------|----|----|-------------|
| 160 | SeaEra | H Household-style, white bowl | M Marine-size, white bowl | L Conversion Kit | I Integral pump | R Remote Seawater Pump | F Freshwater Solenoid | 0 Straight Discharge | 9 90 Discharge | 12 Specify Voltage | 24 | 32 | 24T 120/240 |
|-----|--------|-------------------------------|---------------------------|------------------|-----------------|------------------------|-----------------------|----------------------|----------------|--------------------|----|----|-------------|

To order the correct unit for your installation make one selection from each column above.

**Model sample:** 160HF012 - SeaEra, Household-style, Pressurized Freshwater, straight discharge, 12V

**Conversion Kit sample:** 160LI912 - SeaEra Conversion Kit, Integral pump, 90° discharge, 12V

Additional models are available. Call Raritan Technical Support for assistance in ordering the model that best suits your application.

L1039 1106kgs

### For more information contact:

Raritan Engineering Company Inc.  
 530 Orange Street  
 Millville, NJ 08332, USA  
 Telephone: 856-825-4900  
 Fax: 856-825-4409  
 e-mail: info@raritaneng.com

### raritaneng.com

Southern Plant and Office  
 3101 SW 2nd Avenue  
 Ft. Lauderdale, FL 33315 USA  
 Telephone: 954-525-0378  
 Fax: 954-764-4370



**THE MOST DEPENDABLE NAME ON THE WATER**