

CROWN HEAD II - Parts List

Part #	Description
1118	Lock Washer (4)
1222AW	90 Degree discharge
1222B	Straight discharge
1226B	1/4" - 20 S/S Hex Nut (4)
1234	Bowl Gasket
1236AW	Bowl Spud Assembly
1236E	Bowl Elbow
1237W	Marine-size Bowl Assembly (White)
1238SC	Marine-size Seat and Cover (Slow Close-Not shown)
1244W	Household-style Bowl Assembly, (White) includes 1236AW
1245SC	Household-style Seat and Cover (Slow Close-Not shown)
1341	Discharge Screw (2)
161107	Front Cover O-Ring
221361	Sealing Washer
C2M**	Crown Head II Motor, 12, 24 VDC
C253	Joker Valve
CH119MW	Discharge Impeller Assy. (includes CH119M, F149VT [2])
CH120	Discharge Pump Wall
CH121	Macerator
CH18W	Front Cover w/"O" Ring
CH26	Front Cover Screw (6)
CH27	Mounting Screw (4) 10-32 x 5/8" S/S
CH34	Woodruff Key
CH38	Bowl Stud (4)
CH51	Base Mounting Screw (4)
CH52	Rubber Mounting Strip (2), (Not shown)
CH55A	Base Plate
CH57	Rubber Slinger
CH58	Fillister Head Screw (4) 10-32 x 3/4" S/S
CH59	Seal
CH90	Discharge Adapter
CH92	Square Rubber Gasket
CR1	Discharge Impeller and Macerator Assy. (includes CH120, CH121, F149VT [2], CH119MW)
M23A	#10 Lockwasher (4)
M30	1/4" - 20 Brass Nut (2)
M31	#14 Brass Washer (2)
PRS	Momentary Flush Switch
RNI	Nylon Shoulder Washer (4)

REMOTE INTAKE PUMP MODELS

162000W	Intake Pump Assembly (includes 162100W, 162200W, 162300W)
162405	3/4" Hose Barb - 90° Fitting
162410	3/4" Hose Barb - Straight Fitting
162415	Plug Fitting
162420	Fitting Clip (3)
162425	Fitting O-Ring (3)
1660**A	Remote Motor
166000	Diaphragm Intake Pump Assy. 12V
166100	Diaphragm Intake Pump Assy. 24V
166200	Diaphragm Intake Pump Assy. 32V
214**A	Relay with Wiring Harness

PRESSURIZED FRESH WATER MODELS

CWPS**CW	1/2" GC Solenoid Valve
PLA14	Male Adapter 1/2 MNPT x 3/4 Barb (3)
PLAVB0-5	Atmospheric Vacuum Breaker
PLA13	Elbow, 1/2" NPT x 3/4" (1)

ADDITIONAL ACCESSORIES AVAILABLE

STC	Smart Toilet Control
163000	In-Line Strainer
190601	Fresh Water Strainer
SFH	1 1/2" Saniflex Hose
SFH1	1" Saniflex Hose
KO2	Knocks Out Odors Kit
1PCP32	Cleans Potties

REPAIR KIT AVAILABLE

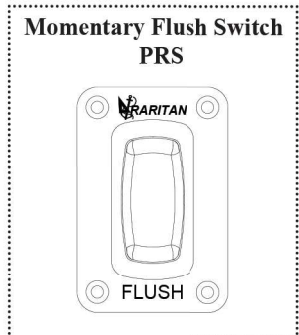
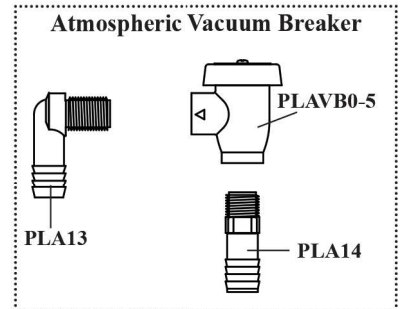
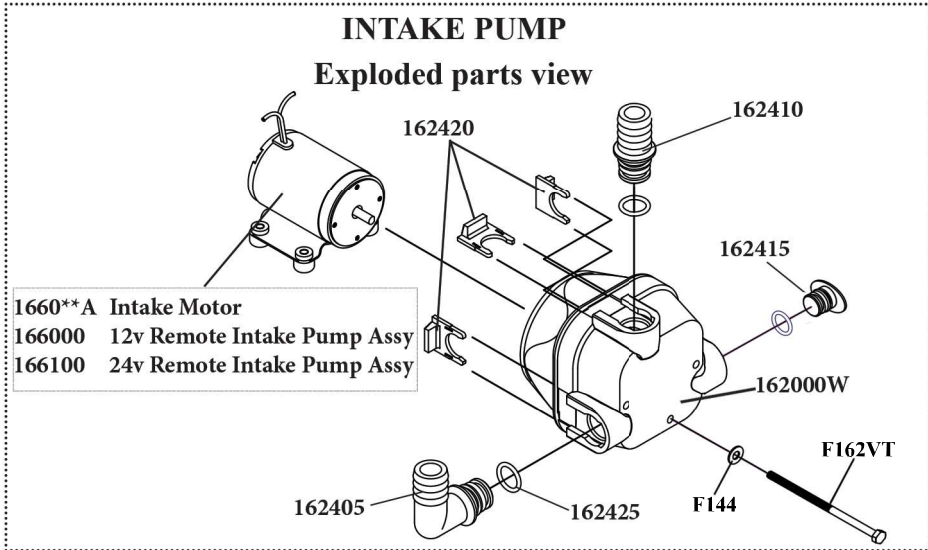
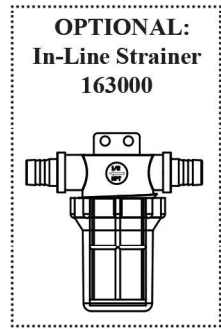
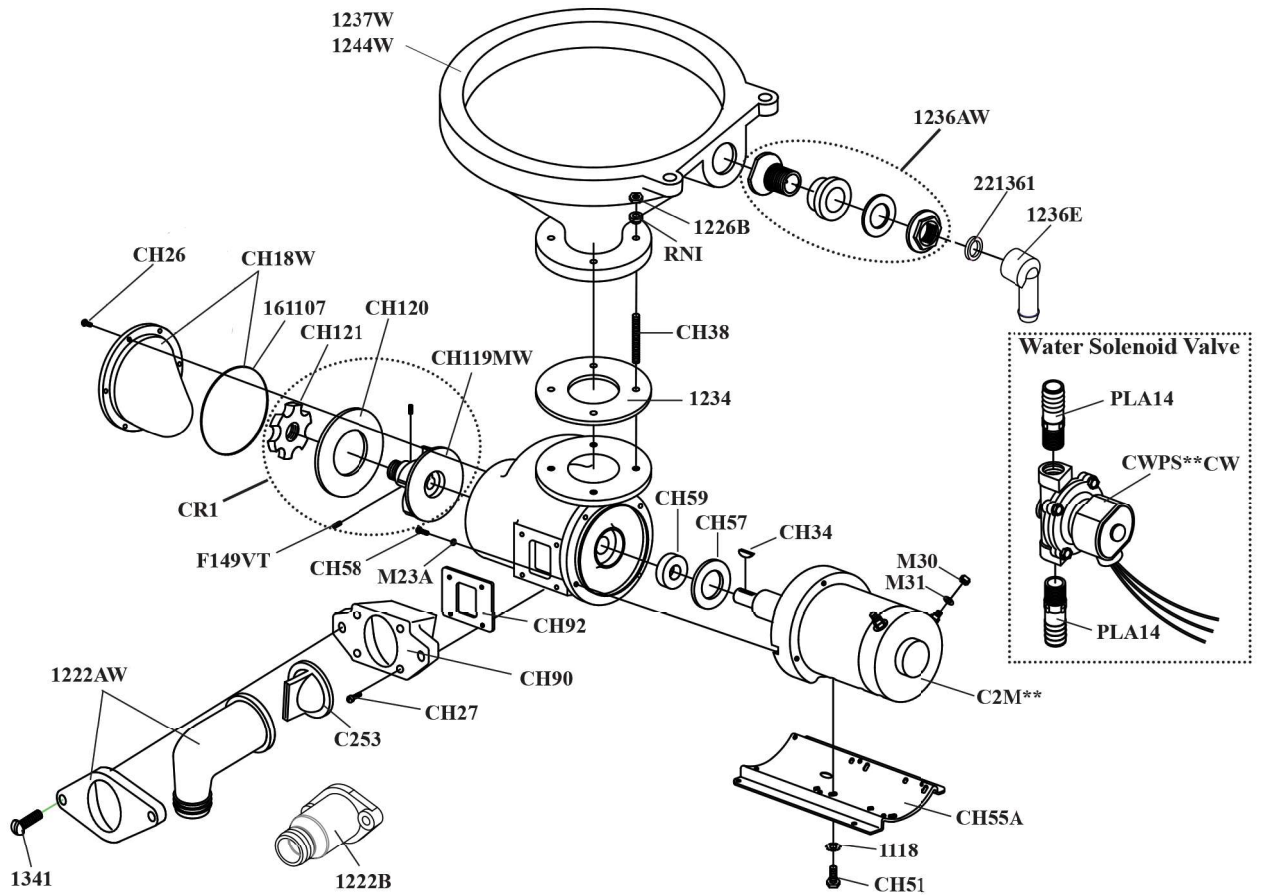
CDDISRK
Crown Head and Crown Head II Discharge Pump
Overhaul Kit, CD Series, post-1987

Kit includes:

1	1234	Bowl Gasket, White Neoprene
1	CH57	Rubber Slinger
1	161107	"O" Ring (replaces CH25)
1	CH59	Macerator Shaft Seal w/Spring
1	C253	Joker Valve
1	CH92	Square Rubber Gasket
1	CH120	Discharge Pump Wall, Black
2	SL1CC	Super-Lube, 1 cc. Packet

** Specify Voltage: 12 or 24

CROWN HEAD II - EXPLODED PARTS VIEW



** Specify Voltage: 12 or 24