

ATLANTES FREEDOM™ TOILET with VORTEX-VAC™

Installation and Maintenance Instructions

MODEL AVHW (Household Size, White Bowl) Manufactured after September 2015

MODEL AVHA (Household Size, Almond Bowl) Manufactured after October 2023

THE FOLLOWING ARE CAUTIONARY STATEMENTS THAT MUST BE READ AND FOLLOWED DURING INSTALLATION, MAINTENANCE AND OPERATION.

WARNING:



Raritan Engineering Company, Inc. recommends that a qualified person or electrician install this product. Equipment damage, injury to personnel or death could result from improper installation. Raritan Engineering Company, Inc. accepts no responsibility or liability for damage to equipment, injury or death to personnel that may result from improper installation or operation of this product.

WARNING:

HAZARD OF SHOCK OR FIRE

Always use recommended fuse, circuit breaker and wire size.



Motors used with this product are “Ignition Protected”. They are not however, explosion-proof.

DO NOT run continuously for more than 30 seconds.

WARNING:

HAZARD OF FLOODING



Always shut off seacock(s) before leaving the boat unattended. Double clamp all below waterline hose fittings and check frequently for integrity.

Description:

Atlantes Freedom with Vortex-Vac household toilet is available in white or bone finishes, with 12 VDC, 24 VDC, 120/240V AC power options.

Water Source Options:

Fresh Water Model uses pressurize onboard fresh water.

Raw Water Pump Model uses a remote intake pump to supply raw (outside) water to the bowl.

Sea/Fresh Model can switch between fresh and raw water source.

Flush Control Options:

Flush Handle Control: Provides momentary operation of flush water and discharge. Available in momentary or timed.

Smart Toilet Control (STC): Provides timed operation and independent control of flush water and discharge with handle or wall switch.

Multifunction Flush Panel

221600 (White) or 221600B (Black): Provides momentary operation and independent momentary control of water fill and discharge.

Bluetooth Flush Control (STCBL):

Provides timed operation and independent control panel wirelessly up to 50' [15 m] away. Eliminates the need to route wires through bulkheads and cabinetry.

Pressurized Fresh Water Model



Remote Raw Water Pump Model



1-800-352-5630

www.raritaneng.com

IMPORTANT SAFETY INSTRUCTIONS:**Below-Waterline Installation Requirements**

Toilets installed at or below the vessel's waterline and equipped with an overboard discharge option must have a properly installed vented loop in the discharge line. The vented loop must be installed in accordance with the vented loop manufacturer's installation instructions.

Raw Water Intake Systems

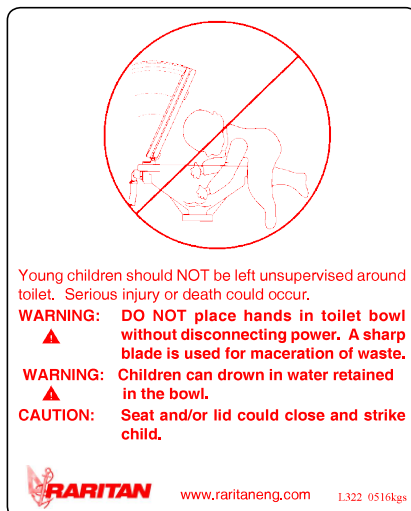
Units installed below the waterline and equipped with a remote raw water pump must also have a vented loop installed in the intake line between the discharge side of the raw water pump and the toilet bowl inlet connection. Double clamp all below waterline connections.

Always replace circuit breaker and fuses with same rating. Use Raritan parts to maintain ignition protection requirements.

WARNING:

Young children should NOT be left unsupervised around toilet. Serious injury or death could occur. DO NOT place hands in toilet bowl without disconnecting power. A sharp blade is used for maceration of waste. Children can drown in water retained in the bowl. Seat and/or lid could close and strike child.

Install the Warning Label (L322) where it can be easily seen.



FLUSH GUIDELINES


DO Flush
Human Waste and Toilet Paper

DO NOT Flush
Feminine Products, Paper Towels, Wet Wipes or Trash

Raritan recommends:

- Kills Odor (K.O.) for holding tank treatment
- Cleans Potties (C.P.) for ceramic bowl cleaning
- Mild soap and water solution to clean all other components

DO NOT: use general purpose cleaners or other harsh chemicals. Damage to toilet may occur and void warranty.



The Most Dependable Name on the Water
856-825-4900
www.raritaneng.com

L110 1228jc

- No special toilet paper is required.
- Water should appear in the bowl within ten seconds. If not, see troubleshooting section.
- Do not flush feminine products, paper towels, wet wipes or trash.
- Always shut off seacock(s) before leaving the boat unattended.

CLEANING

Raritan C.P. (1PCP32) - Cleans Potties, a bio-enzymatic bowl cleaner, will keep the bowl clean and fresh smelling. It is the only factory-recognized cleaning product that may be used in the toilet. A mild soap and water solution can be used for all other components.

DO NOT ADD ANY OTHER CHEMICALS OR CLEANING PRODUCTS TO THE TOILET OR THE TREATMENT SYSTEM.

Recommend Visual Inspection

- ✓ No leaks at toilet and hose connections
- ✓ Hose clamps
- ✓ Condition of hoses
- ✓ Seacocks
- ✓ Condition of wires and connections
- ✓ In-Line Strainer (if installed)

SYSTEM START-UP

1. Open seacock(s).

NOTE: Pressurized Fresh Water Models; open water source valve.

2. Turn on power to toilet.
3. Flush toilet per Flush Operation Instructions.
4. Check for leaks.

IMPORTANT: If toilet does not flush properly or if water does not enter the bowl within 10 seconds, refer to Troubleshooting.

WINTERIZING

- Improper winter lay up is a major cause of marine toilet failure.
- Use only nontoxic antifreeze.
- Flush toilet several times to clear waste from system.
- Dispose of all antifreeze in accordance with local and federal regulations.
- Winterize holding tanks, plumbing, treatment systems (MSD's), etc. independently following manufacturer's instructions.

Winterizing Pressurized Fresh Water Models

Parts Required

- 1" [25 mm] or 1 1/2" [38 mm] I.D. discharge hose, approximately 3' [1 m] long
- Two buckets
- Nontoxic antifreeze approximately 1 quart [1 L]

Steps

1. Close discharge seacock (if one exists).
2. Shut off intake water at source.
3. Turn off power to unit.
4. Disconnect and drain intake and discharge hose.
5. Disconnect intake hoses from toilet and place in one of the buckets.
6. Connect short hose to toilet's discharge and place in other bucket.
7. Pour antifreeze in bowl.
8. Turn on power to unit and flush until antifreeze is removed from the bowl and water is drained from the solenoid and hose.
9. Disconnect power to toilet.
10. Reconnect intake hoses to water solenoid.

Winterizing Raw Water Pump Models

Parts Required

- 3/4" [19 mm] I.D. intake hose approximately 3' [1 m] long.
- 1" [25 mm] or 1 1/2" [38 mm] I.D. discharge hose approximately 3' [1 m] long.
- Two buckets
- Nontoxic antifreeze approximately 1 quart [1 L]

Steps

1. Close the intake and discharge seacocks.
2. Turn off power to unit.
3. Disconnect and drain pump intake hose and discharge hose.
4. Connect short hoses to toilet's pump intake and discharge.
5. Place one bucket under hose connected to toilet's discharge.
6. Pour nontoxic antifreeze in other bucket.
7. Place hose connected to intake pump into bucket with antifreeze.
8. Turn on power to unit and flush toilet until antifreeze begins to be discharged from toilet.
9. Disconnect power from toilet.

RECOMMISSIONING

1. Using the buckets, hoses and approximately 1 gallon [3.8 L] of clean fresh water, flush antifreeze out of the toilet (see Winterizing). Dispose of antifreeze in accordance with local and federal regulations.
2. Reconnect the intake and discharge hoses and open both seacocks and water source valve.
3. Check all connections for leaks with several test flushes.

Plumbing

Maximum suction of Intake pump (Maximum height above waterline)	4' [1.2 m] from Intake Pump
Maximum height of discharge vented loop	10' [3 m] from base of toilet
Pressurized water source minimum requirements	Minimum flow rate 3 gallons [11.5 L] per minutes, minimum pressure 5 PSI [34.5 kPa]

NOTES: for Wiring

1.	Distances are from source to unit and back to source.
2.	Distance from power source to remote intake pump MUST be included when determining total distance. Same wire size MUST be used for lower base and remote intake pump.
3.	Recommended conductor wire minimum AWG (mm ²) for 3% voltage drop.
4.	Recommended conductor sizes are based on 105°C rated insulation. Refer to ABYC Standards for other insulation ratings.
5.	For 120/240 VAC units use 12VDC specifications from transformer to unit.

Hose Sizes

Inlet:

1/2" [13 mm] for Fresh Water Model

3/4" [19 mm] for Raw Water Model

Discharge:

1" [25 mm] or 1 1/2" [38 mm]

CONVERSIONS								
Wire - AWG to mm ²								
AWG	16	14	12	10	8	6	4	2
mm²	1.5	2.5	4.0	6.0	10.0	16.0	25.0	35.0
Feet to Meters								
Feet	10	15	20	25	30	40	50	
Meter	3.1	4.6	6.1	7.6	9.2	12.2	15.2	

Recommended Wire and Fuse/Circuit Breaker Sizes

Raw Water Model (sizes based on both remote intake and discharge pumps amps added together)

Units Voltage	Circuit Breaker/ Fuse size	Toilet Discharge amps draw	Remote Pump Only amp draw	10 feet	15 feet	20 feet	30 feet	40 feet	50 feet
12 VDC	30	18	10	10 AWG	8 AWG	6 AWG	4 AWG	4 AWG	2 AWG
24 VDC	20	10	5	16 AWG	14 AWG	12 AWG	10 AWG	10 AWG	8 AWG

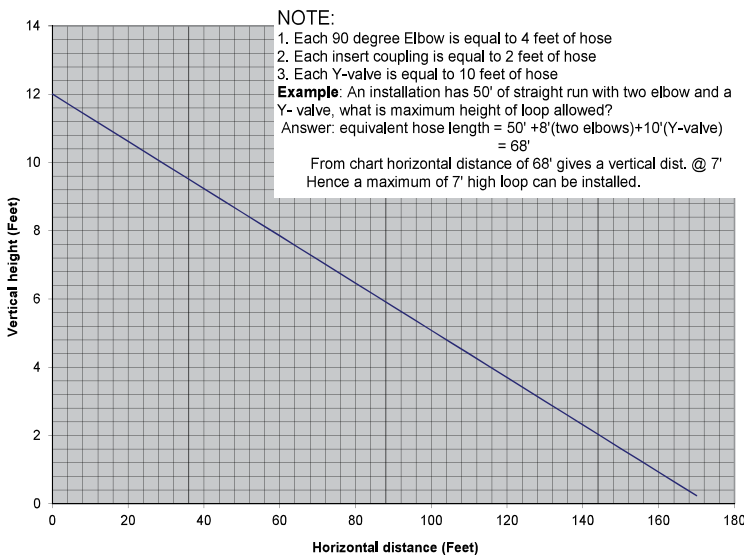
Pressurized Fresh Water Model

Units Voltage	Circuit Breaker/ Fuse size	Amp draw	10 feet	15 feet	20 feet	30 feet	40 feet	50 feet
12 VDC	25	18	10 AWG	10 AWG	8 AWG	6 AWG	6 AWG	4 AWG
24 VDC	15	10	16 AWG	16 AWG	14 AWG	12 AWG	10 AWG	10 AWG

Remote Intake Pump Only (Raw Water and Sea/Fresh Models)

Units Voltage	Circuit Breaker/ Fuse size	Amp Draw	10 feet	15 feet	20 feet	30 feet	40 feet	50 feet
12 VDC	15	10	14 AWG	12 AWG	10 AWG	10 AWG	8 AWG	6 AWG
24 VDC	10	5	16 AWG	16 AWG	16 AWG	16 AWG	14 AWG	12 AWG

**Atlantes discharge Maximum recommended:
1" [25 mm] or 1 1/2" [38 mm] hose length**

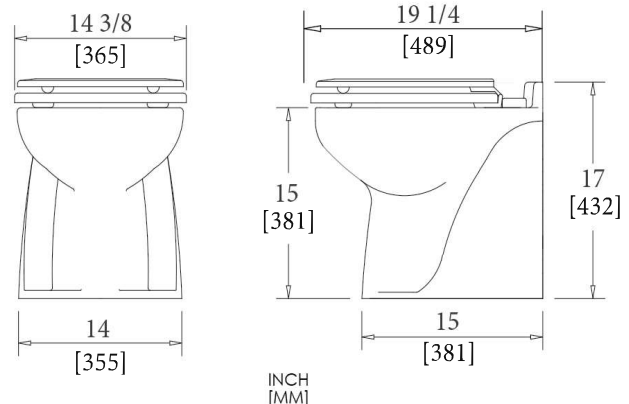


Water Consumption:

Water Saver : 2 pint* [.48 L]

Regular Flush: 2 quarts [1.9 L]

* requires timing adjustment



Parts included with all models:

1. Toilet bowl assembly
2. Seat and Cover
3. Flush control - includes QR code for Operation and Installation Guides
4. QR code for Installation and Maintenance Guide
5. Warning Labels

Parts included with Raw Water Model:

1. Remote pump assembly
2. Sea/Fresh models include relay for remote pump

Additional parts required (not included):

- 1" [25 mm] or 1 1/2" [38 mm] I.D. discharge hose
- Reinforced intake hose:
Raw: 3/4" [19 mm]
Fresh: 1/2" [13 mm]
- 3/4" [19 mm] and 1" [25 mm] or 1 1/2" [38 mm] hose clamps (two for each connection below waterline)
- Wire (See specification chart)
- Terminals
- Fuse/circuit breaker (See specification chart)
- Strainers are optional and recommended:
 Fresh Water Strainer (190601)
 In-Line Strainer (163000)

MOUNTING

1. Place toilet where it will be located.
Make sure there is room to route hoses.
Make sure seat will open properly.
2. Using a pencil, mark location of bowl mounting holes (FIG 2).
3. A. If hoses will be routed through floor, trace one side of toilet on floor.
 B. If hoses will be routed through wall, trace one side of toilet on wall.
4. Remove toilet and mark location for hoses and wiring on deck or wall.
5. Cut necessary holes for hoses and wiring.

NOTE: Check outside diameter of hoses and adjust accordingly.

- **Discharge Hose Opening:**
 1 1/2" Hose: 2" [51 mm]
 1" Hose: 1 1/2" [38 mm]
- **Inlet Hose Opening:**
 FRESH: 7/8" [22 mm]
 RAW: 1" [25 mm]
- **Wiring Hole Opening:**
 3/4" [19 mm]

6. Drill holes for toilet mounting bolts/screws.

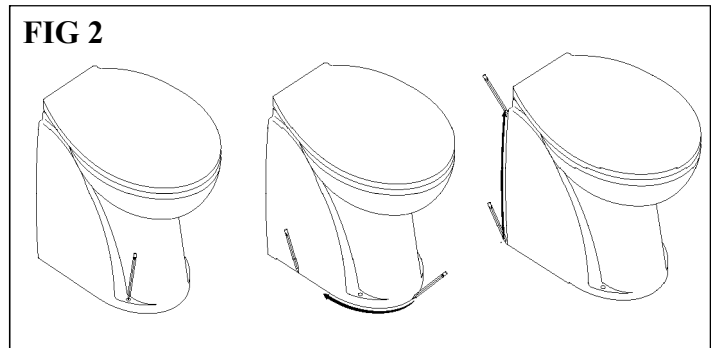
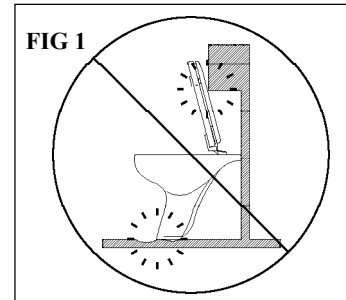
NOTE: Use 1/4" [6 mm] size bolts/screws. To select proper screw or bolt length, measure thickness of deck plus 1 1/8" [29 mm].

TIP: Do not install until all wiring and plumbing is done. Secure toilet to floor after installation is complete.

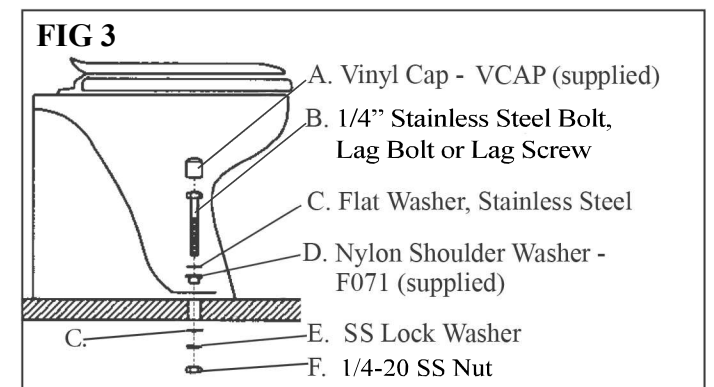
Mounting Toilet

1. Connect plumbing and wiring before mounting toilet.
2. Tighten bolts being careful to not overtighten (Do not exceed 30 inch lb. [3.39 Nm] when tightening).
3. Install caps over mounting bolts.

Mounting surface must be flat and solid.
Seat must open more than 90 degrees.



CAUTION: Do Not over tighten mounting bolts. Damage to the toilet bowl may occur. Tighten both mounting bolts evenly and slowly.



PLUMBING

PLUMBING

WARNING: HAZARD OF FLOODING

Toilets mounted at or below the waterline, at greatest angle of heel, and connected to a Seacock/Thru Hull Fitting(s) **MUST** have **VENTED LOOPS** installed in toilet discharge plumbing and between raw water intake pump and toilet bowl.

Install vented loops per manufacturer's instructions. Double clamp all below-waterline connections.

IMPORTANT

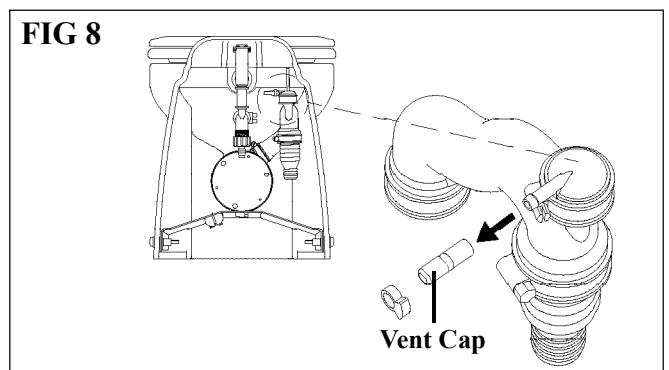
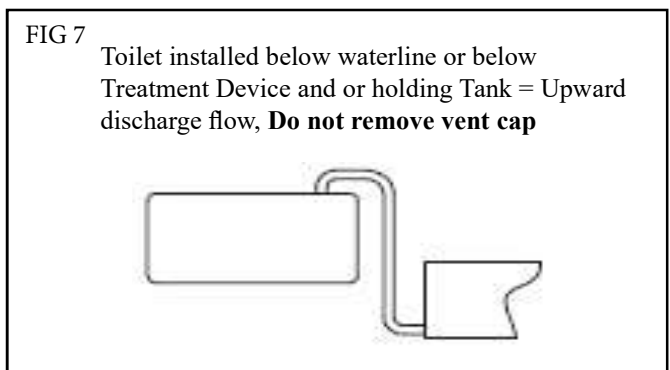
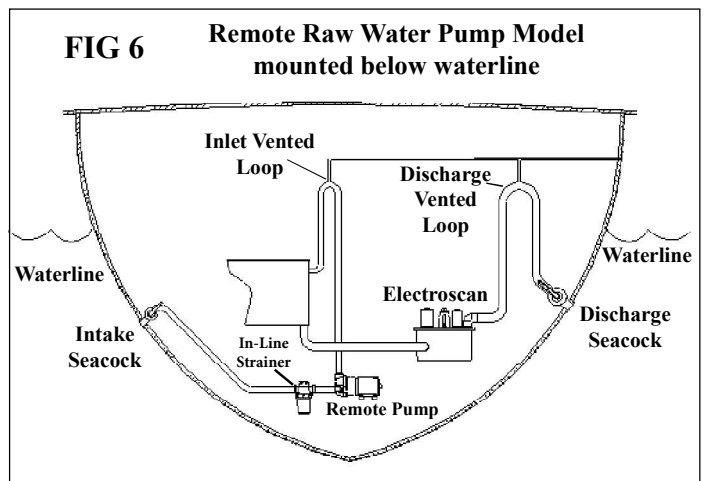
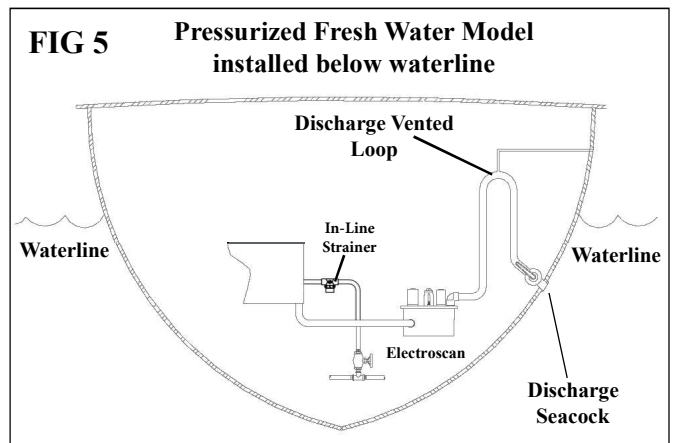
- Discharging untreated sewage is forbidden in all U. S. waters within the three-mile limit and 9 miles in Gulf of America.
- Fittings and 90° bends should be kept to a minimum.
- In-Line Strainer may be installed on raw water models to prevent clogs.
- Thru-hull fittings and seacocks must be installed where they are easily accessible.
- Use only quality reinforced hoses such as Raritan SANIFLEX HOSE.
- Secure all hoses properly.

Residual Water in the Bowl

The Atlantes toilet includes an integral vent that maintains up to 4" [10 cm] of water in the bowl. In most installations, this built-in feature does not require any adjustment. In the event the bowl water is being siphoned empty, removing of the vent cap (FIG 8) will help retain water in the bowl.

NOTE: If any portion of the discharge hose is routed higher than the internal integral vent, **DO NOT** remove the vent cap.

To enable Integral Vent, remove Vent Cap (FIG 8), connect 1/4 hose and connect hose to a deck vent fitting (Reference FIG 6). Hose and deck fitting not included.



Discharge Lines

Raritan Sanitation Hose is recommended

SaniFlex Hose Part numbers:

SFH 1 1/2" [38 mm]

SFH1 1" [25 mm]

1. Connect sanitation hose to discharge fitting on toilet.
- NOTE:** Discharge fitting is designed for 1" [25 mm] or 1 1/2" [38 mm] hose. 1 1/2" [38 mm] hose is secured at top of fitting and 1" [25 mm] is secured at the bottom. It is not necessary to remove the 1" [25 mm] barb if using 1 1/2" [38 mm] hose. Use the fitting as is.
2. Run hose to appropriate device (e.g.: treatment system, holding tank, etc.).

NOTE: If installation requires routing through the backwall rather than the floor, 90 degree kits are available:
221147 for 1 1/2" [38 mm] hose
221148 for 1" [25 mm] hose.

Intake Lines Pressurized Fresh Water Models

NOTE: To avoid malfunction of water solenoid due to debris in water, installation of Fresh Water Strainer (190601) is recommended.

1. Connect 1/2" [13 mm] I.D. hose to pressurized fresh water supply.
2. Install a shut off valve in intake line before toilet.
3. Connect hose from shut off valve to inlet fitting of water solenoid valve at the toilet.

Mounting Remote Pump

1. Remote pump uses 3/4" [19 mm] ID hose for connection. Preferably at or slightly above waterline.
2. Locate remote pump between thru hull fitting and toilet bowl.
3. Locate in an area away from berth to keep noise level down.
4. Use Inline Strainer, part 163000 (recommended) to avoid clogs.
5. Secure remote pump to the floor using four bolts through the pump base (FIG 10).

Connecting Remote Pump

Remote pump fittings are interchangeable to allow more flexibility during installation. Inlet ports are located on either side of intake pump. Outlet port (to toilet bowl) is at top of intake pump (FIG 11).

NOTE: To avoid poor pump performance installation of In-Line Strainer (163000) is recommended

1. Slide fitting clips to open position (FIG 12)
2. Select inlet port to be used.
3. Install appropriate fittings into inlet and outlet ports.

NOTE: The 90° fitting can be rotated 360°.

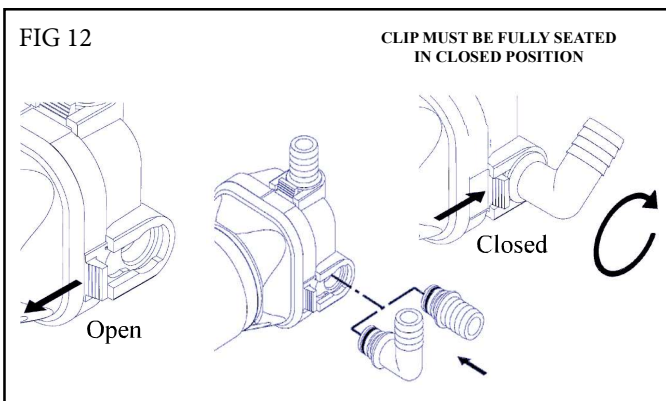
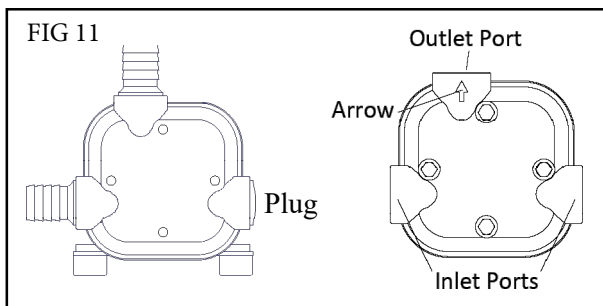
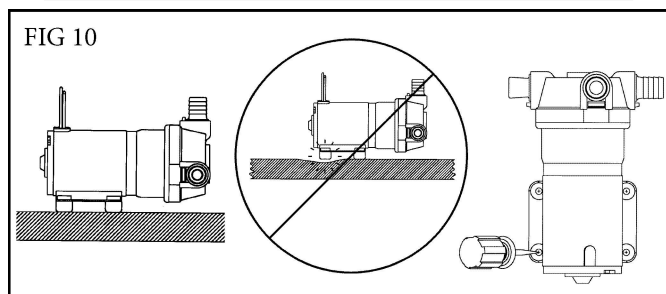
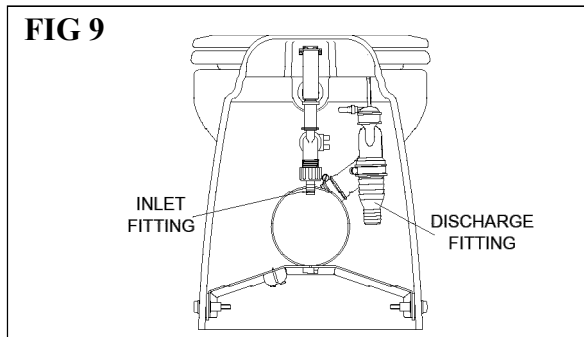
4. Install the plug fitting into unused inlet port.

IMPORTANT: DO NOT install plug fitting into outlet port! Damage to pump will occur!

5. Slide fitting clips back to closed position (FIG 12).
6. Connect hose from seacock to inlet port of intake pump. If used, strainer is in-line. Use hose clamp provided.

IMPORTANT: Double clamp all below waterline hose connections!

7. Connect hose from outlet port of intake pump to bowl elbow located on back of toilet bowl.



**WIRING FLUSH CONTROLS
FOLLOW THE INSTRUCTIONS INCLUDED
WITH FLUSH CONTROL**

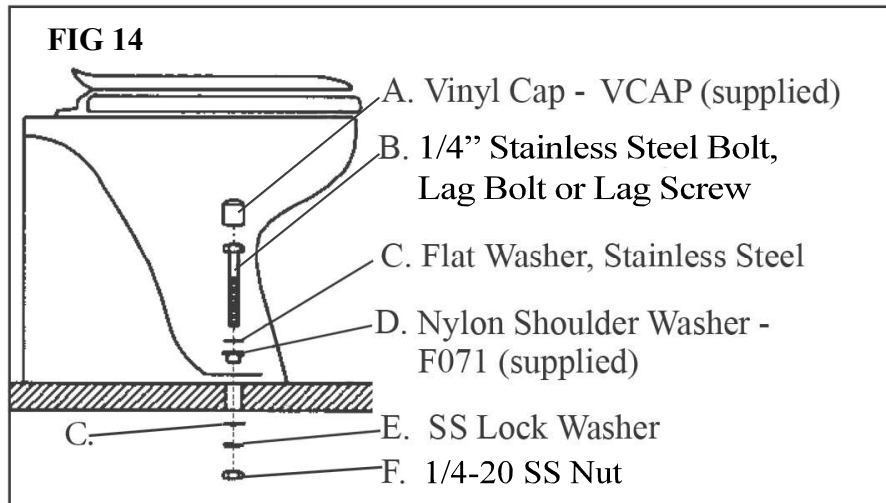
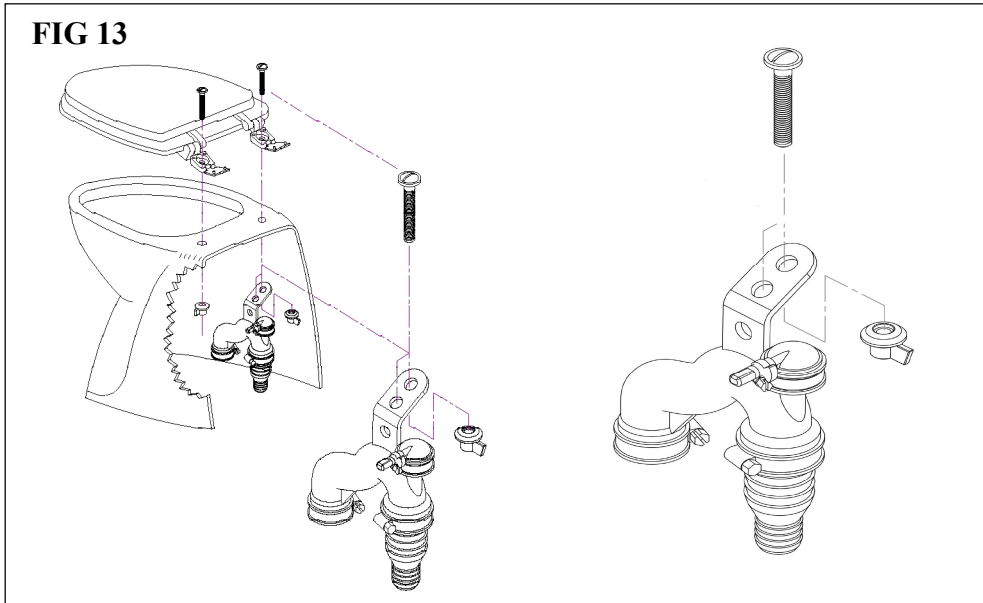
Connect Hoses and wiring to toilet

- Route wire from control per wiring diagrams.
- Install seat. Install discharge support strap between seat nut and the bowl (FIG 13).

Mount toilet

- Install mounting bushings, bolts. (FIG 14)
- Tighten bolts being careful to not overtighten (Do not exceed 30 inch lb. when tightening)
- Install caps over mounting bolts.

Caution: To avoid kinking, do not pull on the discharge hose. Be certain there is no pressure on the discharge line.



TROUBLESHOOTING

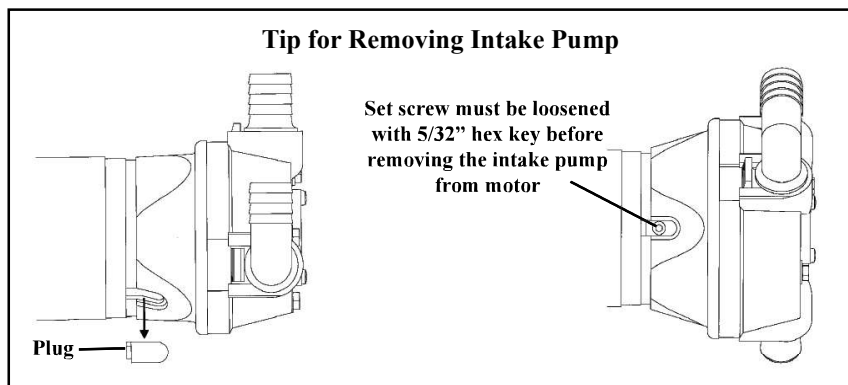
WARNING: HAZARD OF ELECTRIC SHOCK - Before beginning any work on the toilet, be sure that all power to the unit has been turned off.

WARNING: HAZARD OF FLOODING - Make sure seacocks are in the CLOSED or OFF position before working on toilet.

NOTE: The following information reflects the most probable causes and solutions to problems although not every possible cause and solution is provided.

Any questions regarding servicing or operation of the Atlantes should be directed to our Technical Support Department in Millville, NJ. Please have model and serial number available before calling.

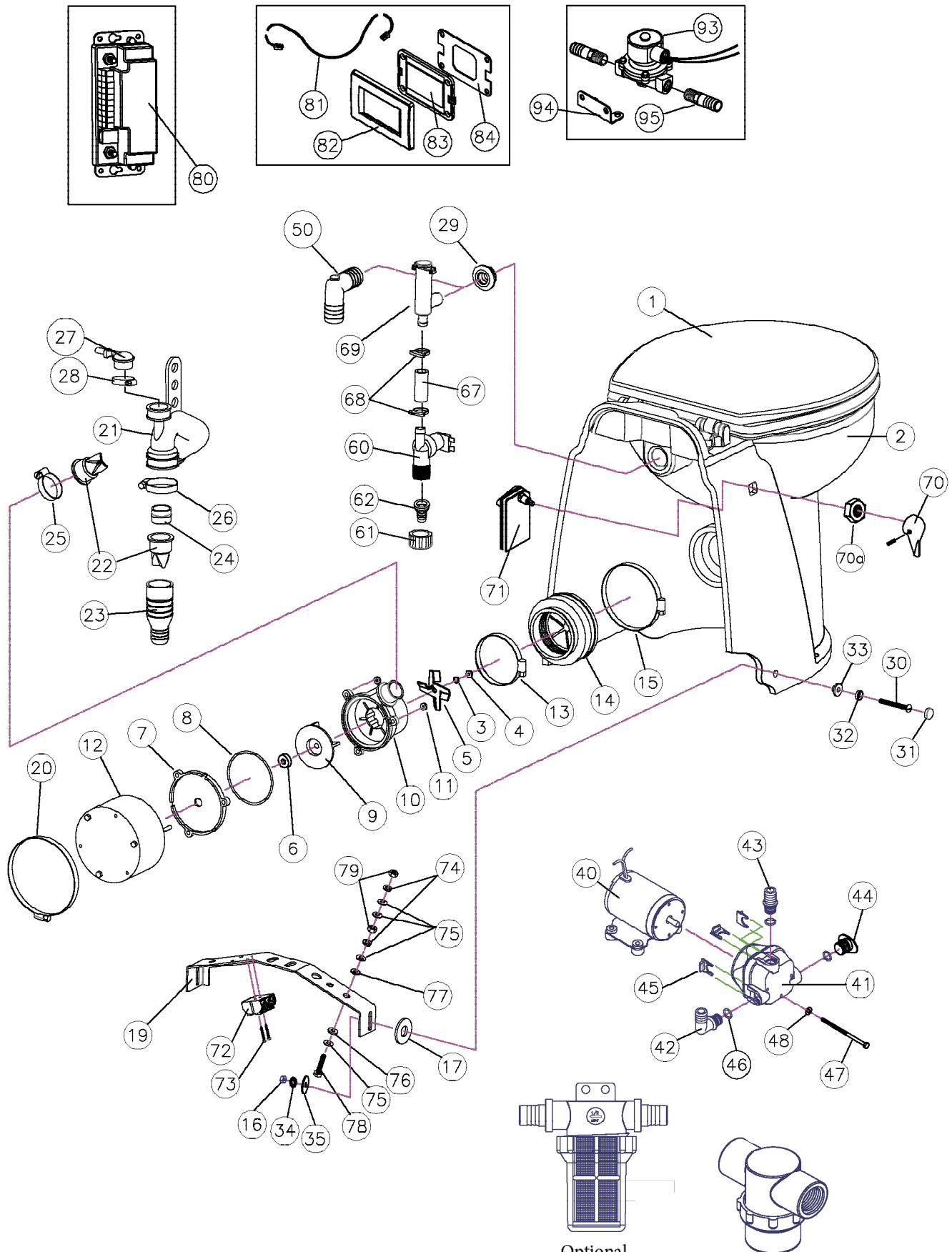
PROBLEM	POSSIBLE CAUSE	SOLUTION
1. Poor pump out, especially solids.	1A. Clogged discharge line. 1B. Plumbing restrictions, bends and ells. 1C. Clogged vents. 1D. Mineral buildup in hoses and fittings. 1E. Low voltage.	1A. Be sure discharge seacock is open. Clear line, remove clog. 1B. Replumb to eliminate bends and ells. 1C. Clean holding tank vent and vented loop vents 1D. Clean or replace affected parts. Replace hose if needed. 1E. Check voltage at toilet while toilet is running . If less than nominal voltage of toilet (12 or 24), check condition of batteries and wire sizes. Check terminals and wire connections for corrosion (heat at terminals and junctions indicates a bad or corroded connection).
2. Poor water flow, especially at front of bowl (or no water flow).	2A. Toilet not level. 2B. Restriction in intake line. 2C. Pump sucking air. 2D. Low voltage. 2E. Clogged strainer.	2A. Raise rear of toilet; check with level. 2B. Be sure seacock is open. Clear line-remove clog. 2C. Check all connections from intake thru-hull to intake pump to be sure no air leaks are present. 2D. See 1E, above. 2E. Remove or Clear debris from strainer.
3. Foul odors from toilet area.	3A. "Marine life" lodged in rim of bowl. 3B. Permeated discharge hose. 3C. Sewage remaining in discharge line	3A. Remove and flush bowl with pressure hose to remove all material. Install strainer in intake line to avoid recurrence. 3B. Replace hose with Raritan sanitation hose (#SFH). 3C. Flush toilet longer; replace hose if permeated; reroute hose making a shorter run if possible.
4. Bowl fills while underway.	4A. Pressure buildup at seacocks.	4A. Close intake, then discharge seacock to determine which is causing problem. If discharge, be sure the vent or vented loop is clean. If intake, there is too much pressure on seacock; contact Raritan Technical Support.
5. Water leaking from under unit.	5A. Leaking Bowl Throat adapter. 5B. Leak at shaft seal. 5C. Leak from bowl spud. 5D. Leak at vacuum breaker	5A. Tighten adapter clamps. 5B. Check seal and motor shaft. 5C. Check and reseat bowl grommet 5D. Clean by gently pressing downward and turn clockwise 1/4 and remove cap and remove plastic piston and clean. Replace if needed.



Atlantes Freedom Vortex Vac Parts List - Household

<u>ItemNo.</u>	<u>Part No.</u>	<u>Description</u>			
1	1245SC	Seat & Cover (Slow Close - White)	70	AM665W	Handle SS W/Set Screw
1	1245ASC	Seat & Cover (Slow Close - Bone)	70a	F104	Brass Panel Hex Nut
2	AM003W	Atlantes Houshold Size Bowl (White)	71	AV600W	Flush Control & Wire Harness
2	AM003AW	Atlantes Bowl (Bone)	72	ETB3	Terminal Block 3 Poles
3	M23A	#10 Lock Washer SS	73	F108	Screw #4 x 7/8" (2)
4	1108A	10-32 SS Nut	74	HLWQB	1/4" Split Lock Washer (4)
5	53145	Macerator Blade	75	M31	1/4" Brass Flat Washer (8)
6	31-102	Motor Shaft Seal	76	31-722	Nylon Shoulder Washer (2)
7	221110	Discharge Pump Seal Plate	77	F069	1/4" Fiber Washer (2)
8	221105	O-Ring	78	HSB1	1/4-20 Brass Screw (2)
9	161115	Impeller	79	M30	1/4-20 Brass Nut
10	221115	Discharge Pump Macerator Housing	SMART TOILET CONTROL		
11	31-114	Lock Nut 10-32 W/Nylon (3)	STC	Complete Smart Toilet Control Kit (12 & 24 VDC)	
12	221012	Discharge Motor 12 VDC	STCBL	Complete Bluetooth STC Kit (12 & 24 VDC)	
12	221024	Discharge Motor 24 VDC	80	STC548W	STC Circuit Board w/Enclosure (12 & 24 VDC)
13	221125	Bowl Throat Adapter Clamp - Pump	80	STC566W	Bluetooth STC Circuit Board w/Enclosure (12 & 24 VDC)
14	221120	ME: Bowl Throat Adapter	81	STC545	Control Cable 7 ft
15	221130	ME: Adapter Clamp, Large	82	221524	Wall Switch Cover Plate (White)
16	1226B	1/4-20 Hex Nut SS	82	221524A	Wall Switch Cover Plate (Bone)
17	CH57	Rubber Slinger (2)	83	STC543W	Wall Touch Panel w/Back Plate
19	AM021A	Pump Mounting Bracket	83	STC564	Bluetooth Wall Touch Panel w/Back and Gasket
20	221127	Discharge Motor Mounting Clamp	84	221525	Touch Panel Gasket
21	AM166W	Discharge Hose (includes 22-28)	MULTIFUNCTION FLUSH PANEL (NOT SHOWN)		
22	221135W	Joker Valve (2) (includes 24)	221600	Multifunction Flush Panel, White	
23	221145	Discharge Adapter Fitting	221600B	Multifunction Flush Panel, Black	
24	221146	Joker Valve Insert	221524	Wall Switch Plate, White	
25	221160	Discharge Hose Clamp (small)	221524B	Wall Switch Plate Black	
26	221165	Discharge Hose Clamp (large)	<u>Black / White</u>		
27	VLVE	Vent Valve Assembly	221601 / 221601W	Fill/Empty Switch	
28	FC001A	Vent Valve Hose Clamp	221602 / 221602W	Flush Switch	
29	221150	Spud Seal	221603 / 221603W	Switch Actuator-Flush, Horizontal Panel	
30	F089	Screw: 1/4-20 x 2" (2)	221604 / 221604W	Switch Actuator-Fill/Empty, Horizontal Panel	
31	F196	ME: Front Mounting Cap (2)	221605 / 221605W	Switch Actuator-Flush, Vertical Panel	
32	F195	Washer: Cup (2)	221606 / 221606W	Switch Actuator-Fill/Empty, Vertical Panel	
33	F071	Nylon Shoulder Washer (2)	REPAIR/ REPLACE KITS		
34	1118	Washer 1/4" External Tooth	MERK	Discharge Pump Repair Kit (includes 6, 8 and 22)	
35	F321	Washer - Fender Style	DIAPUMPRK	Intake Pump Repair Kit	
REMOTE RAW WATER PUMP			AV30012	12 VDC Discharge Assembly (includes 3-12 and 21-28)	
40	166012A	Intake Pump Motor 12 VDC	AV30024	24 VDC Discharge Assembly (includes 3-12 and 21-28)	
40	166024A	Intake Pump Motor 24 VDC	162400	Fitting Kit (includes 42-44 and 46)	
41	162000W	Remote Intake Pump w/o Motor (includes 45 and 46)	ADDITIONAL OPTIONAL ACCESSORIES AVAILABLE FROM RARITAN		
42	162405	3/4" Hose Barb 90° Fitting	91	221147	1 1/2 inch Thru Wall Discharge Kit
43	162410	3/4" Hose Barb Straight	92	221148	1 inch Thru Wall Discharge Kit
44	162415	Plug Fitting	1PCP32	C.P. Cleans Potties, 32 oz	
45	162420	Fitting Retaining Clip (3)	1PCHGAL	Cleans Hoses, Tanks and MSD (gal)	
46	162425	O-Ring (3)	1PKO32	Kills Odors, 32 oz	
47	F162VT	Inlet Pump Mounting Bolt (4)	KO2	Deodorant System (Seawater Models)	
48	F144	#10 Washer SS Flat (4)	SFH	Sanitation Hose 1 1/2" [38 mm] (sold by foot)	
49	166000	Complete Remote Pump 12 VDC	SFH1	Sanitation Hose 1" [25 mm] (sold by foot)	
49	166100	Complete Remote Pump 24 VDC	190601	Fresh Water Strainer	
50	PLA26	Elbow Adapter 3/4 x 1/2 Barbed	163000	In-Line Strainer	
PRESSURIZED FRESH WATER UNITS			RTME12D	Power Converter for 120/240 VAC	
60	221351	Solenoid Valve 12 VDC	STCTSA	Holding Tank Full Sensor (Sensa Level TM)	
60	221352	Solenoid Valve 24VDC	For use with STC Flush Control.		
61	221356	ME: Nut 3/4 BSP	STCFL	Holding Tank Full Sensor (Float Switch)	
62	221357	ME: Hose Adapt. Straight	For use with STC Flush Control.		
67	221335	Hose, 1/2"			
68	221340	Hose Clamps 1/2" (2)			
69	221300	Vacuum Breaker Assembly			

Atlantes Freedom Vortex Vac Exploded Parts View - Household



Optional
In-Line Strainer
Part 163000

Optional Pressurized
Fresh Water Strainer
Part 190601

LIMITED WARRANTY

Raritan Engineering Company warrants to the original purchaser that this product is free of defects in materials or workmanship for a period of one year from the product's date of purchase. Should this product prove defective by reason of improper workmanship and/or materials within the warranty period, Raritan shall, at its sole option, repair or replace the product.

1. TO OBTAIN WARRANTY SERVICE, Consumer must deliver the product prepaid, together with a detailed description of the problem, to Raritan at 530 Orange St., Millville, N.J. 08332. When requesting warranty service, purchaser must present a sales slip or other document which establishes proof of purchase. **THE RETURN OF THE OWNER REGISTRATION CARD IS NOT A CONDITION PRECEDENT OF WARRANTY COVERAGE.** However, please complete and return the owner Registration Card so that Raritan can contact you should a question of safety arise which could affect you.
2. **THIS WARRANTY DOES NOT COVER** defects caused by modifications, alterations, repairs or service of this product by anyone other than Raritan; defects in materials or workmanship supplied by others in the process of installation of this product; defects caused by installation of this product other than in accordance with the manufacturer's recommended installation instructions or standard industry procedures; physical abuse to, or misuse of, this product. This warranty also does not cover damages to equipment caused by fire, flood, external water, excessive corrosion or Act of God.
3. **ANY EXPRESS WARRANTY NOT PROVIDED HEREIN, AND ANY REMEDY FOR BREACH OF CONTRACT WHICH BUT FOR THIS PROVISION MIGHT ARISE BY IMPLICATION OR OPERATION OF LAW, IS HEREBY EXCLUDED AND DISCLAIMED. ALL IMPLIED WARRANTIES SUCH AS THOSE OF MERCHANTABILITY AND OF FITNESS FOR A PARTICULAR PURPOSE, IF APPLICABLE, AS WELL AS ANY IMPLIED WARRANTIES WHICH MIGHT ARISE BY IMPLICATION OF LAW, ARE EXPRESSLY LIMITED TO A TERM OF ONE YEAR. SOME STATES DO NOT ALLOW LIMITATIONS ON HOW LONG A LIMITED WARRANTY LASTS, SO THE ABOVE LIMITATION MAY NOT APPLY TO YOU.**
4. **UNDER NO CIRCUMSTANCES SHALL RARITAN BE LIABLE TO PURCHASER OR ANY OTHER PERSONS FOR ANY SPECIAL OR CONSEQUENTIAL DAMAGES, WHETHER ARISING OUT OF BREACH OF WARRANTY, BREACH OF CONTRACT, OR OTHERWISE. SOME STATES DO NOT ALLOW THE EXCLUSION OR LIMITATION OF INCIDENTAL OR CONSEQUENTIAL DAMAGES, SO THE ABOVE LIMITATION OR EXCLUSION MAY NOT APPLY TO YOU.**
5. No other person or entity is authorized to make any express warranty, promise or affirmation of fact or to assume any other liability on behalf of Raritan in connection with its products except as specifically set forth in this warranty.
6. This warranty gives you specific legal rights, and you may also have other rights which vary from state to state.



530 Orange Street, Millville, NJ 08332 USA
Telephone: 856-825-4900 FAX: 856-825-4409
www.raritaneng.com

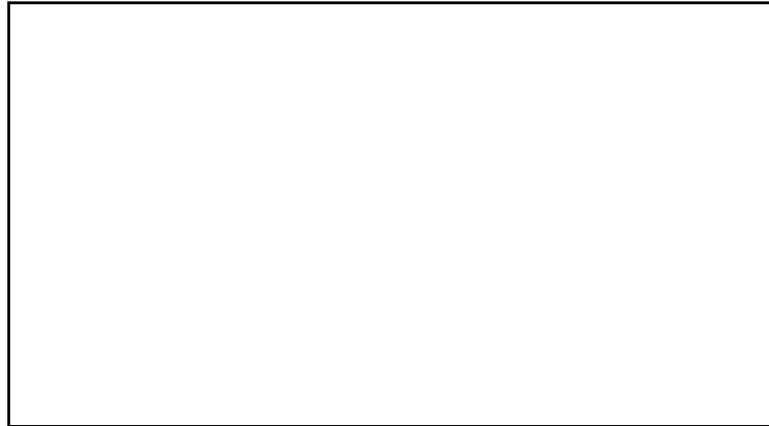
Thank you for purchasing a Raritan Atlantes Freedom™ Vortex-Vac™ Household Style Bowl

Model and Serial #:
Please have this available if support is needed.

SCAN for
Owners Manual



L479



SCAN for
Warranty Form



If you prefer a printed version of the Owners Materials:
Email: info@raritaneng.com

Questions on installation?
Email: techsupport@raritaneng.com



Do not return this product to store.

PLEASE RETAIN FOR YOUR RECORDS

530 Orange Street
Millville, NJ 08332 USA
Telephone: 856-825-4900
FAX: 856-825-4409
www.raritaneng.com



L479 0526 jlc