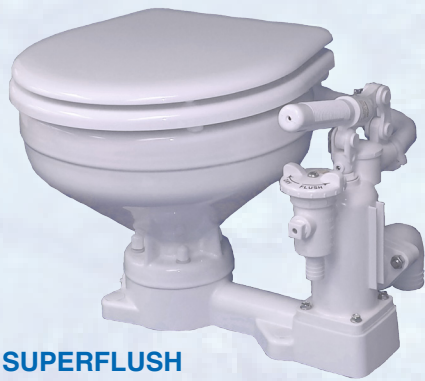




PH POWERFLUSH AND PH SUPERFLUSH



PH POWERFLUSH



PH SUPERFLUSH

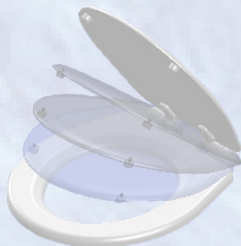
- PH PowerFlush electric model can be switched to manual superflush within minutes.
- Upgrading to PH SuperFlush and PowerFlush is fast and easy! Mounting base configuration matches the bolt pattern used on most competitive toilets.
- Clear the bowl with less strokes! Our robust double-action piston pump is 66% larger than competitive models making its use quick, easy and efficient.
- Trouble free operation! Proprietary full size 1½" joker valve is specially designed to maintain pump performance.
- Available for 12V or 24V DC operation.

Additional benefits include:

- **Effortless Pumping!** Powerful telescopic lever style handle makes pumping a breeze, even in the most challenging plumbing installations.
- **Superior Strength!** Our engineered polymer pump construction is the strongest on the market.
- **Slow Close Seats!** Prevents annoying seat slamming and includes a unique feature that locks the seat in place while boat is rocking.

NEW! Slow Close Seat design

Seat locks in place while boat is rocking.



No more slamming seats!

All units have a dry flush option and may be mounted above or below the waterline. Reversible pump mounting available for left hand operation. Available in both Marine and Household bowl sizes.

Prefer to use your old bowl and seat? Retrofits are available. See reverse for part number details.

Most items are in stock and available to ship within 24 hours.

Raritan products are chosen by powerboat, sailboat, houseboat and RV owners and manufacturers the world over for their dependability, environmental responsibility, simplicity of installation, operation and maintenance. The product line includes house-hold style toilets, marine toilets, marine sanitation devices and systems, cleaning products, icemakers, water heaters and rudder angle indicators.

To view our complete line as well as obtain installation and servicing guides: visit www.raritaneng.com

SPECIFICATIONS

Electrical

Nominal Voltage (Volts DC)	12V	24V
Amperage Draw @ Nominal Voltage	15	8
Circuit Breaker/Fuse Size (Amps)	20	15

Wire Sizes

NOTE: Recommended conductor sizes based on 105C rated insulation.

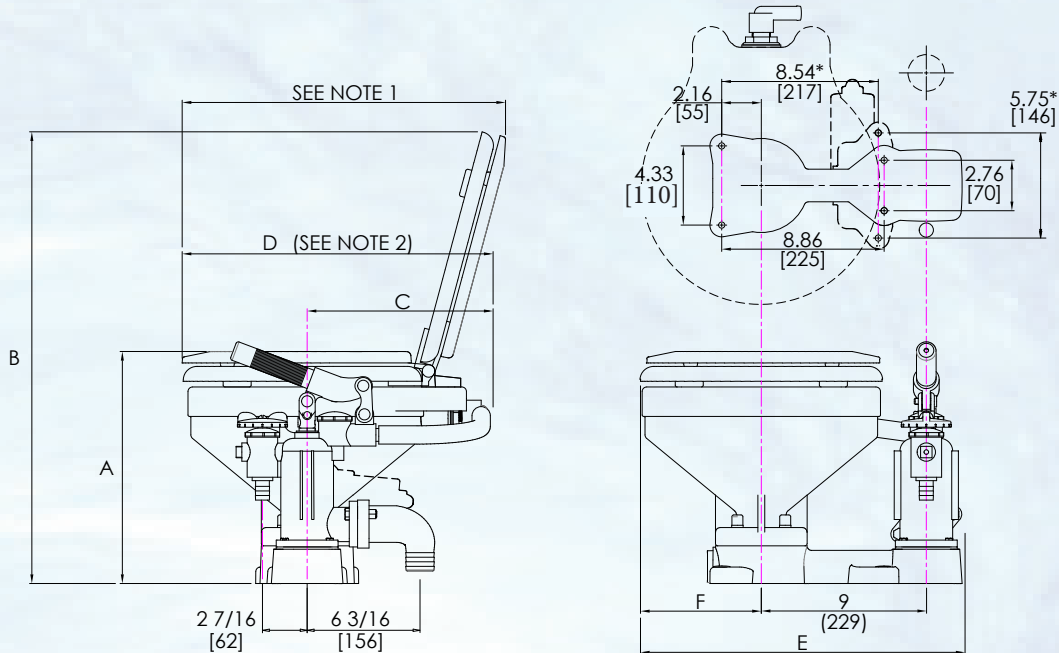
Refer to ABYC Standards for other insulation ratings.

Plumbing

Maximum Lift	4' (1.2m)
Max Discharge Loop Height	15' (4.6m)
Insert Port Size	3/4"
Discharge Port Size	1 1/2"

NOTE: Never mount POWERFLUSH where it may be subject to shower spray or other sources of external water.

Raritan SuperFlush and PowerFlush Marine Toilet Front View, Side View and Footprint



BOWL TYPE	A	B	C	D	E	F
MARINE	13 (330)	24 3/4 (629)	10 3/8 (264)	17 1/4 (438)	17 3/4 (451)	6 1/2 (165)
HOUSEHOLD	13 1/8 (334)	27 7/8 (708)	11 1/2 (292)	20 (508)	18 1/4 (464)	7 (179)

INCHES
(MM)

NOTE:

1. THE SEAT WILL OPEN WITHIN THE DEPTH OF THE BOWL (D). HOWEVER, IT MAY BE DESIRABLE TO INCREASE THIS ANGLE BY ALLOWING MORE ROOM AT THE BACK OF THE BOWL FOR THE SEAT TO OPEN.
2. MARINE STYLE BOWL, D DIMENSION IS 17 3/8 [442MM] WITH HANDLE EXTENDED.
3. DIMENSIONS ARE FOR REFERENCE AS VITREOUS CHINA DIMENSIONS MAY VARY +/- 5%.

*: ELECTRIC FLUSH OPTION

ORDERING INFO:

Sample Part: P101E12 = Marine size bowl, Electric drive, 12V DC

Model	Bowl (white) Size	Operation	Voltage
P10	1 - Marine Size 2 - Household Size 3 - Lower Assy (no bowl) 4 - Electric Conversion Kit	None - Manual E - Electric	None - Manual 12 - 12V DC 24 - 24V DC 12T - 115V/230V DC



For more information contact:
Raritan Engineering Company Inc.
530 Orange Street
Millville, NJ 08332, USA
Telephone: 856-825-4900
Toll Free: 1-800-352-5630
Fax: 856-825-4409
e-mail: info@raritaneng.com